

INTRODUCTION

This document provides the information to install the different configurations of the PDi Internal and External Backer Plates. The Internal Backer Plates are identified with the PDI-254I base part number, and the External Backer Plates are identified with the PDI-255E base part number. Each version will have an additional suffix that will differentiate it from the other configurations. The plates are marked with an arrow and "TOP" to indicate proper mounting orientation.

The standard design for the backer plates is for 16inch spacing for the wall studs. For 24inch spacing, the part number will include "-24" as a suffix to the base part number.

The standard backer plate designs that these instructions are intended for are listed in the table below.

PDI Base Part No.	Description	Stud Centers
PDI-254I	Internal Backer Plate	16"
PDI-255E	External Backer Plate	16"
PDI-255E-24	External Backer Plate, 24" Centers	24"
PDI-255EAV	External Backer Plate, 16" for AV Kit	16"

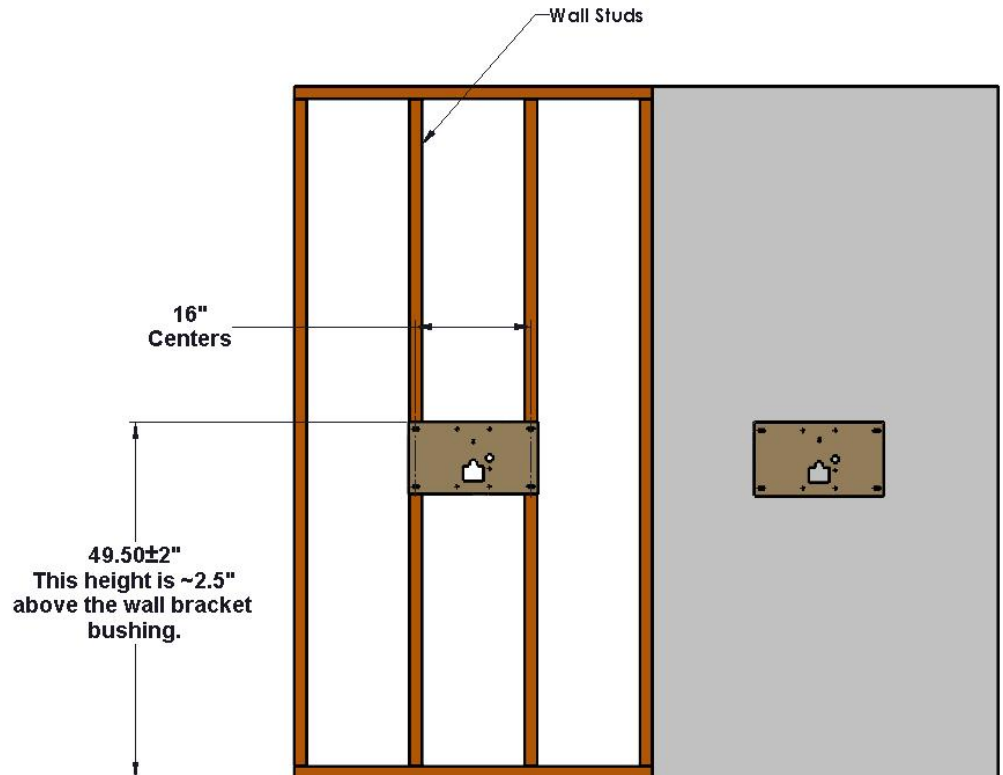
SAFETY

1. Always wear safety glasses/goggles to prevent injury from debris.
2. Follow the installation/removal instructions for your existing products.

INSTALLATION

The 254I plates are for internal mounting, behind the drywall. They are uncoated. Align the plates with the wall studs, as shown, to use the slots in the four corners to mount the plate. See the Mounting Options for information regarding the suggested fasteners to use to mount the plate.

The 255E plates are external for mounting on top of the drywall. They have a powder coated finish on the visible side. Align the plates with the wall studs, as shown, to use the slots in the four corners to mount the plate. See the Mounting Options for information regarding the suggested fasteners to use to mount the plate.



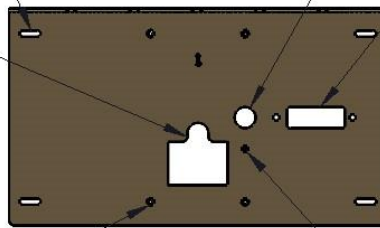
BACKER PLATE INFORMATION

SLOTTED MOUNTING HOLES FOR 1/4" FASTENERS, ALLOWING FOR VARIATIONS IN SPACING OF STUDS

ONLY USE THIS 1" HOLE FOR COAX/POWER WHEN USING A PDI-771B WALL BRACKET WITH INDIVIDUAL POWER SUPPLY.

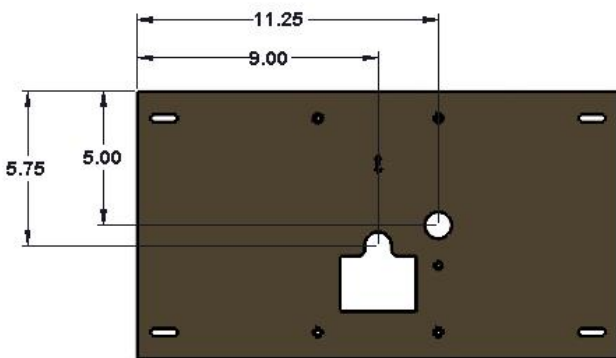
MOUNTING FOR AV KIT, AVAILABLE ONLY WITH PDI-255EAV MODELS

USE THIS LOCATION FOR COAX WHEN USING STANDARD PDI WALL BRACKETS

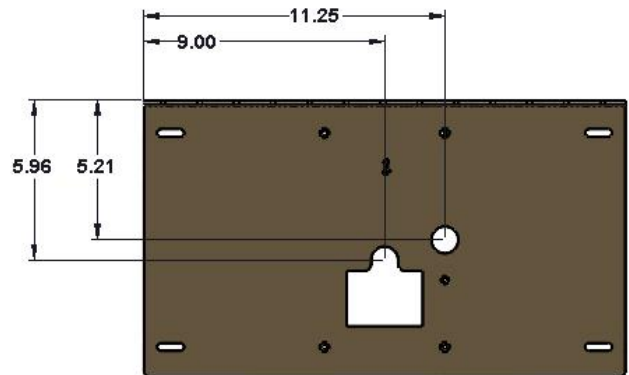


LOCATION TO ATTACH GROUND, #8-32 THREAD

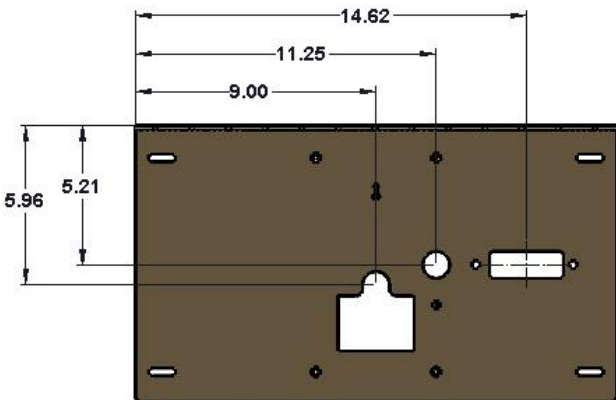
MOUNTING HOLES FOR PDI WALL BRACKETS, 1/4"-20 THREADS



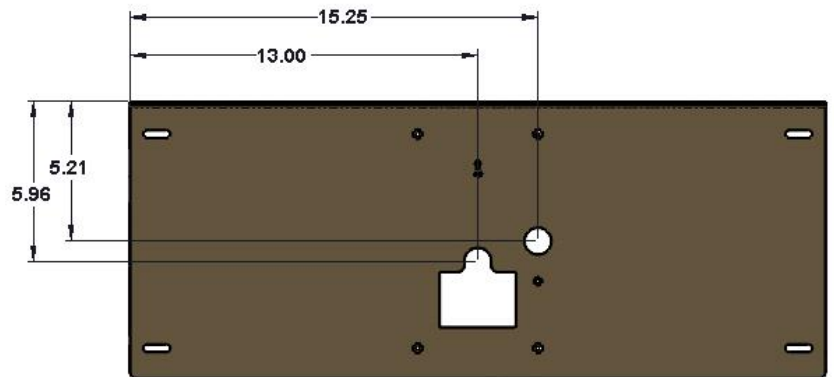
PDI-254I



PDI-255E



PDI-255EAV



	MODEL NUMBER: PDI-254I & PDI-255E Backer Plates	Document Number: PD196-094R6
	Installation Instructions	Page 3 of 3

MOUNTING OPTIONS

For wood studs, the suggested mounting anchors are steel lag screws for wood, and should meet ASME B18.2.1 specifications. The bolts should be coated for corrosion resistance.

For metal studs, the suggested mounting anchors are Hilti Toggler anchors, like the one shown below. The anchor should be sized for 1/4-20 fastener, with a minimum SAE grade 5 rated bolt. Install per manufacturer's instructions.



Toggler Anchor

Installation Note: The head of the mounting bolts or the inserts on the back of the external plates will seem to prevent the plate from flush mounting on or behind the drywall sheets. The drywall can be drilled or compressed to ensure flush mounting.

WARRANTY

PDi Communication Systems Inc., ("PDi") standard warranty information is found at pdiam.com. For information regarding authorized servicing and all other information pertaining to this warranty, please contact PDi COMMUNICATION SYSTEMS, INC. at 40 Greenwood Ln, Springboro, Ohio 45066 or phone 800-628-9870 and ask for the PDi ProServices team.

