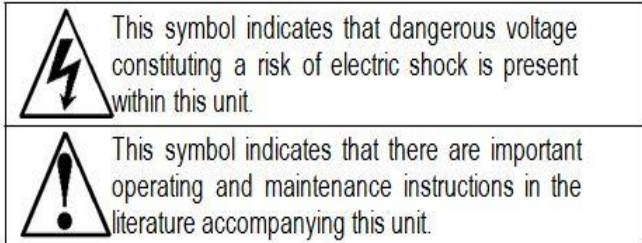


## SAFETY INFORMATION



### Overhead Falling Hazard

**WARNING:** To prevent injury, this apparatus must be securely attached to the floor/wall in accordance with the installation instructions. Monitor can pose a striking hazard when mounted at an elevated position. Use only PDi mounting brackets, support arms, and appropriate hardware to assure Monitor will not fall from the mounted position.



### Rain and Moisture

**WARNING:** To avoid the hazards of fire or electrical shock, DO NOT expose this television to rain or moisture.



### Oxygen Environment

**WARNING:** Do not use in any oxygen tent or oxygen chamber. Such use may cause a fire hazard.

The Wall Bracket Power Supply does not require periodic maintenance other than cleaning. Never remove the back cover of the Wall Bracket Power Supply; this can expose you to high voltage and other hazards. If the Wall Bracket Power Supply does not operate properly, unplug it and call an authorized service center or PDi.

### Cleaning and Disinfection

Clean the exterior of this Wall Bracket Power Supply by removing dust with a lint-free cloth. Suggested cleaning agent is 5% Bleach and Water solution. **CAUTION:** To avoid damage to the surface of the Wall Bracket Power Supply, do not use abrasive or chemical cleaning agents. Spot test a new disinfectant by test cleaning a non-obvious small spot on the Wall Bracket Power Supply's surface. Allow the disinfectant to soak per its instructions and then wipe clean. Do not use the disinfectant if the Wall Bracket Power Supply's surfaces show any sign of discoloration or softening.

### Product Modification

Do not attempt to modify this product in any way without written authorization. Unauthorized modification could void the user's authority to operate this product.

### Copyright, Trademarks

© 2017 PDi Communication Systems, Inc. All rights reserved. Product logos, brands and other trademarks displayed within PDi's products are the property of their respective trademark holders, who are not affiliated with, endorsing, or sponsoring PDi Communication Systems, Inc. or our products. Underwriters Laboratories

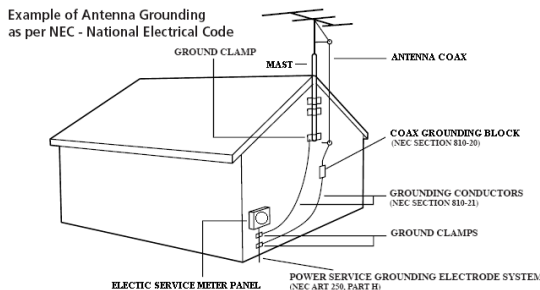
The model PDI-771B-B/C/G Healthcare Grade wall mounted power supply bracket is specialized and should be installed to National Electrical Code specifications.

This device is safety tested and listed by the Underwriters Laboratories as a product suitable for use in health-care facilities in both the United States and Canada.



### Note to Cable TV Installer (If applicable)

This reminder is provided to call the cable TV systems installer's attention to Article 820-40 of the National Electrical Code. The code provides guidelines for proper grounding and, in particular, specifies that the cable ground shall be connected to the grounding system of the building, as close to the point of the cable entry as practical. Canadian installations shall be properly grounded in accordance with the Canadian Electrical Code, Part 1.



## Maintenance and Servicing

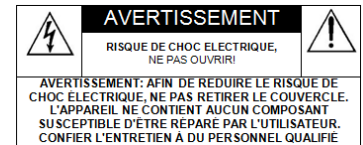
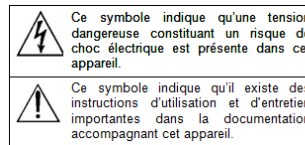
## Disclaimer

The author and publisher have used their best efforts in preparing this manual. PDi Communication Systems, Inc. makes no representation or warranties with respect to the accuracy or completeness of the contents of this manual and specifically disclaims any implied warranties or merchantability or fitness for any particular purpose and shall in no event be liable for any loss of profit or any other damages. The information contained herein is believed accurate, but is not warranted, and is subject to change without notice or obligation.

## IMPORTANT SAFETY INSTRUCTIONS

**CAUTION: THIS INSTALLATION SHOULD BE MADE BY A QUALIFIED SERVICE PERSON AND SHOULD CONFORM TO ALL LOCAL CODES. READ AND FOLLOW THE SAFETY INSTRUCTIONS BEFORE ATTEMPTING THIS INSTALLATION.**

1. Read Instructions – All the safety and operating instructions should be read before the product is operated.
2. Keep these Instructions – The safety and operating instructions should be retained for future reference.
3. Heed all Warnings – All warnings on the product and in the operating instructions should be adhered to.
4. Follow all Instructions – All warnings on the product and in the operating instructions should be followed.
5. Water and Moisture – Do not expose this product to rain or moisture. Do not use this product near water – for example, near a bath tub, wash bowl, kitchen sink, or laundry tub; in a wet basement; or near a swimming pool; and the like.
6. Cleaning – Unplug this product from the wall outlet before cleaning. Do not use liquid cleaners or aerosol cleaners. Clean only with a dry cloth.
7. Ventilation – Slots and openings in the cabinet are provided for ventilation to ensure reliable operation of the product and to protect it from overheating. These openings must not be blocked or covered. The openings should never be blocked by placing the product on a bed, sofa, rug, or other similar surface. This product should not be placed in a built-in installation such as a bookcase or rack unless proper ventilation is provided or the manufacturer's instructions have been adhered to.
8. Heat – The product should be situated away from heat sources such as radiators, heat registers, stoves, or other products (including amplifiers) that produce heat.
9. Power-Cord Protection – Protect the power cord from being walked on or pinched, particularly at plugs, convenience receptacles, and the point where they exit from the product.
10. Attachments – Only use attachments/accessories specified by the manufacturer.
11. Use only with cart, stand, tripod, bracket, or table specified by the manufacturer, or sold with the apparatus. When a cart is used, use caution when moving the cart/apparatus combination to avoid injury from tip-over.
12. Lightning – For added protection for this product during a lightning storm, or when it is left unattended and unused for long periods of time, unplug it from the wall outlet and disconnect the antenna or cable system. This will prevent damage to the product due to lightning and power-line surges.
13. Servicing – Refer all servicing to qualified service personnel. Servicing is required when the apparatus has been damaged in any way, such as power cord or plug is damaged, liquid has been spilled or objects have fallen into the apparatus, the apparatus has been exposed to rain or moisture, does not operate normally, or has been dropped.
14. Oxygen Environment – Do not use in an oxygen tent or oxygen chamber. Such use may cause a fire hazard.
15. To prevent injury, this apparatus must be securely attached to the wall in accordance with the installation instructions. TV's can pose a striking hazard when mounted at an elevated level.
16. Power Sources – This product should be operated only from the type of power source indicated on the marking label. If you are not sure of the type of power supply to your home, consult your product dealer or local power company. For products intended to operate from battery power, or other sources, refer to the operating instructions.



## CONSIGNES DE SÉCURITÉ IMPORTANTES

**CETTE INSTALLATION DOIT ÊTRE EFFECTUÉE PAR UN TECHNICIEN QUALIFIÉ ET DOIT ÊTRE CONFORME À TOUS LES CODES LOCAUX. LIRE ET SUIVRE LES CONSIGNES DE SÉCURITÉ AVANT DE PROCÉDER À L'INSTALLATION.**

1. Lire ces instructions.
2. Conserver ces instructions.
3. Respecter tous les avertissements.
4. Suivre toutes les instructions.
5. Ne pas utiliser cet appareil près de l'eau - par exemple près d'une baignoire, d'un lavabo, dans un sous-sol humide, ou près d'une piscine ou similaire.
6. Nettoyer avec un chiffon sec. Ne pas utiliser de nettoyeurs liquides ou en aérosol.
7. Ne pas obstruer les ouvertures de ventilation. Installer conformément aux instructions du fabricant. Les ouvertures ne doivent jamais être obstruées en plaçant le produit sur un lit, un canapé, un tapis ou toute autre surface similaire.
8. NE PAS installer près de sources de chaleur telles que radiateurs, registres de chaleur, poêles ou tout autre appareil (y compris les amplificateurs) qui produit de la chaleur.
9. NE PAS neutraliser le dispositif de sécurité de la fiche polarisée ou de terre. Ce produit est équipé d'une prise de terre à trois fils, une fiche ayant une troisième broche (mise à la terre). Cette fiche ne peut s'insérer que dans une prise de courant avec mise à la terre. Il s'agit d'une caractéristique de sécurité. Si vous êtes incapable d'insérer la fiche dans la prise, contacter votre électricien pour remplacer votre prise obsolète.
10. Protéger le cordon d'alimentation pour qu'il ne soit pas piétiné ni pincé, en particulier au niveau des fiches, des prises de courant et au point de sortie de l'appareil.
11. Accessoires - Utiliser uniquement les attaches/accessoires recommandés par le fabricant.
12. Utiliser uniquement avec un chariot, stand, trépied, support ou table recommandé par le fabricant ou vendu avec l'appareil. Lorsqu'un chariot est utilisé, faire attention lors du déplacement de l'ensemble chariot/appareil afin d'éviter des blessures en cas de basculement.
13. Débrancher cet appareil en cas d'orages ou lorsqu'il reste inutilisé pendant de longues périodes.
14. Confier toute réparation à un personnel de service qualifié. Des réparations sont nécessaires si l'appareil est endommagé d'une façon quelconque, par exemple : cordon ou prise d'alimentation endommagé, liquide renversé ou des objets sont tombés dans l'appareil, l'appareil a été exposé à la pluie ou à l'humidité, ne fonctionne pas normalement ou s'il est tombé.
15. Sources d'alimentation - Ce produit doit être utilisé uniquement à partir du type de source d'alimentation indiqué sur l'étiquette. Si vous n'êtes pas sûr sur le type d'alimentation de votre domicile, consultez le détaillant de votre produit ou la compagnie d'électricité locale. Pour les produits proposés de fonctionner par piles, ou autres sources d'alimentation, reportez-vous aux consignes d'utilisation.
16. Environnement d'oxygène - Ne pas utiliser sous une tente à oxygène ou chambre à oxygène. Une telle utilisation peut causer un risque d'incendie.

**MINIMUM INSTALLATION REQUIREMENTS**

Contact PDi for complete list of compatible arm models that can be used with this wall bracket extension. **NOTE:** If you have questions, contact PDi Technical Support at 1-800-628-9870.

**Wall construction:**

1. Wall studs are to be wood, with a 2x4 minimum size and be spaced 16" on centers.
2. Stud orientation shall be with the "4" inch dimension perpendicular to the surface plasterboard.
3. The surface plasterboard shall have a maximum thickness of 5/8".

**Installation of PDI backer plates:**

1. Attaching fasteners will be 1/4" lag for the wood studs that provide a minimum of 2-1/2" engagement with the wood studs.

**PDi RECOMMENDED INSTALLATION METHOD:**

At the time of this printing, the following configuration is the preferred method for installing PDi wall mounted arms.

**Wall construction:**

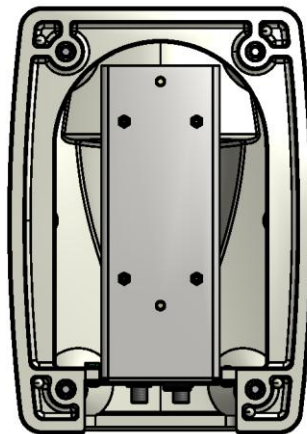
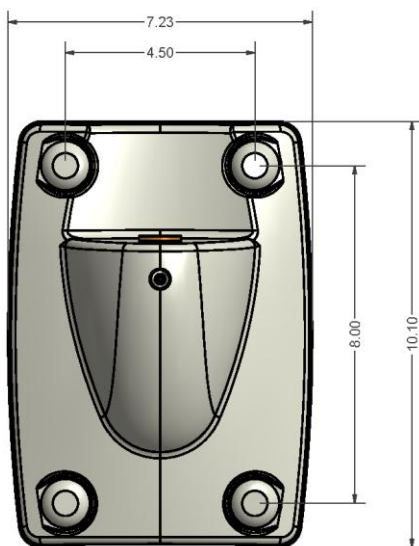
1. For OSHPD/HCAI compliance, wall studs are galvanized steel, 18 gauge minimum, with a 2"x4" minimum size and spaced 16" or 24" on centers.
2. Stud orientation shall be with the "4" inch dimension perpendicular to the surface plasterboard.
3. The surface plasterboard shall have a maximum thickness of 5/8".

**Installation of PDI backer plates (needed for OSHPD/HCAI compliance):**

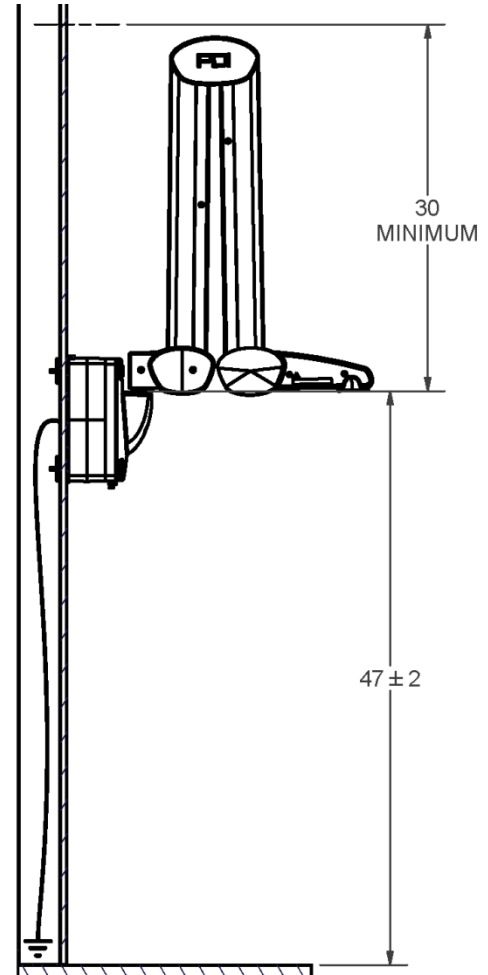
4. Attaching fasteners will be 1/4" diameter grade 5 (bolts or screws).
5. Captive solid bar toggles: TOGGLER brand SNAPTOGGLE.
6. Anchorage to two adjacent studs, two fasteners in each, is required.

## WALL BRACKET GUIDELINES

1. **LOCATION** – Make certain that the chosen wall bracket location is near enough to the connection interface so that it can be connected to it. The cables can also enter from behind the wall bracket. Also position the wall bracket at a mounting height of **47±2 inches**. See Figure 1.
2. **WALL STRENGTH** – The wall bracket mounting instructions cover the most desirable mounting method, backing plate mounting, plus some other recommended methods depending upon wall construction. **IN ALL CASES** the wall construction must be able to support a minimum compression loading of **350 PSI** applied perpendicular to the mounting locations.
3. **HARDWARE REQUIREMENTS** – Use the following hardware for all wall bracket installations.
  - a) All threaded rods, bolts, machine screws, and anchors will be ¼”-20UNC-2A thread, grade 5 or higher.
  - b) Backer plate recommendations below.
  - c) All threaded rods will be finished off with the washer and cap covers, supplied with the wall bracket.
  - d) Fastening anchors should be HILTI, Snaptoggle, or equivalent.
4. **THE MAXIMUM TOTAL COMBINED WEIGHT** of the monitor and support arm system should be no more than 55 pounds.



Mounting Hole Pattern



### INSTALLATION WITH TOGGLE ANCHORS

Fastening anchors should be HILTI brand or equivalent.

1. Drill a 1/2" (13mm) hole, in the center of the stud flange. Hold metal channel flat alongside plastic straps and slide channel through hold. Minimum clearance behind wall 1-7/8" (48mm). Fig. 1
2. Hold ends of straps between thumb and forefinger and pull toward you until channel rests flush behind wall. Slide plastic cap along straps with other hand until flange of cap is flush with wall. Fig. 2
3. Toggle should be through center of steel edge flange. Fig. 3
4. Cut or snap straps at wall by pushing side to side, snapping off straps level with flange of cap. Fig. 4
5. Align mounting holes in backing plate with holes in toggle and install mounting hardware as shown. Fig. 5

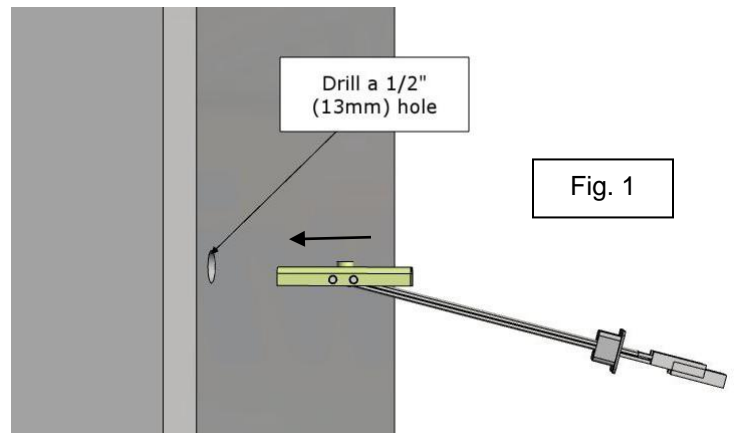


Fig. 1

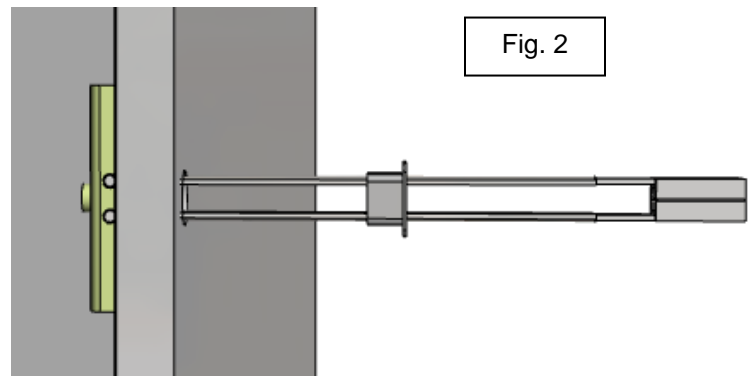


Fig. 2

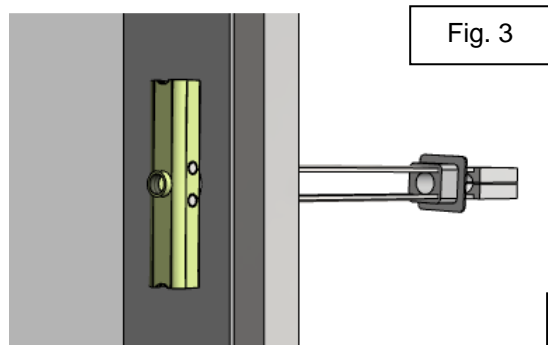


Fig. 3

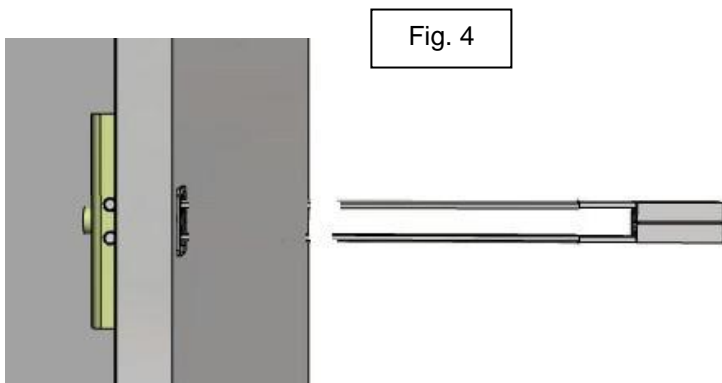


Fig. 4

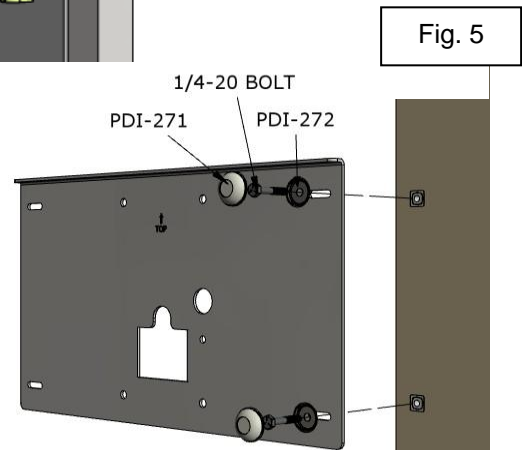
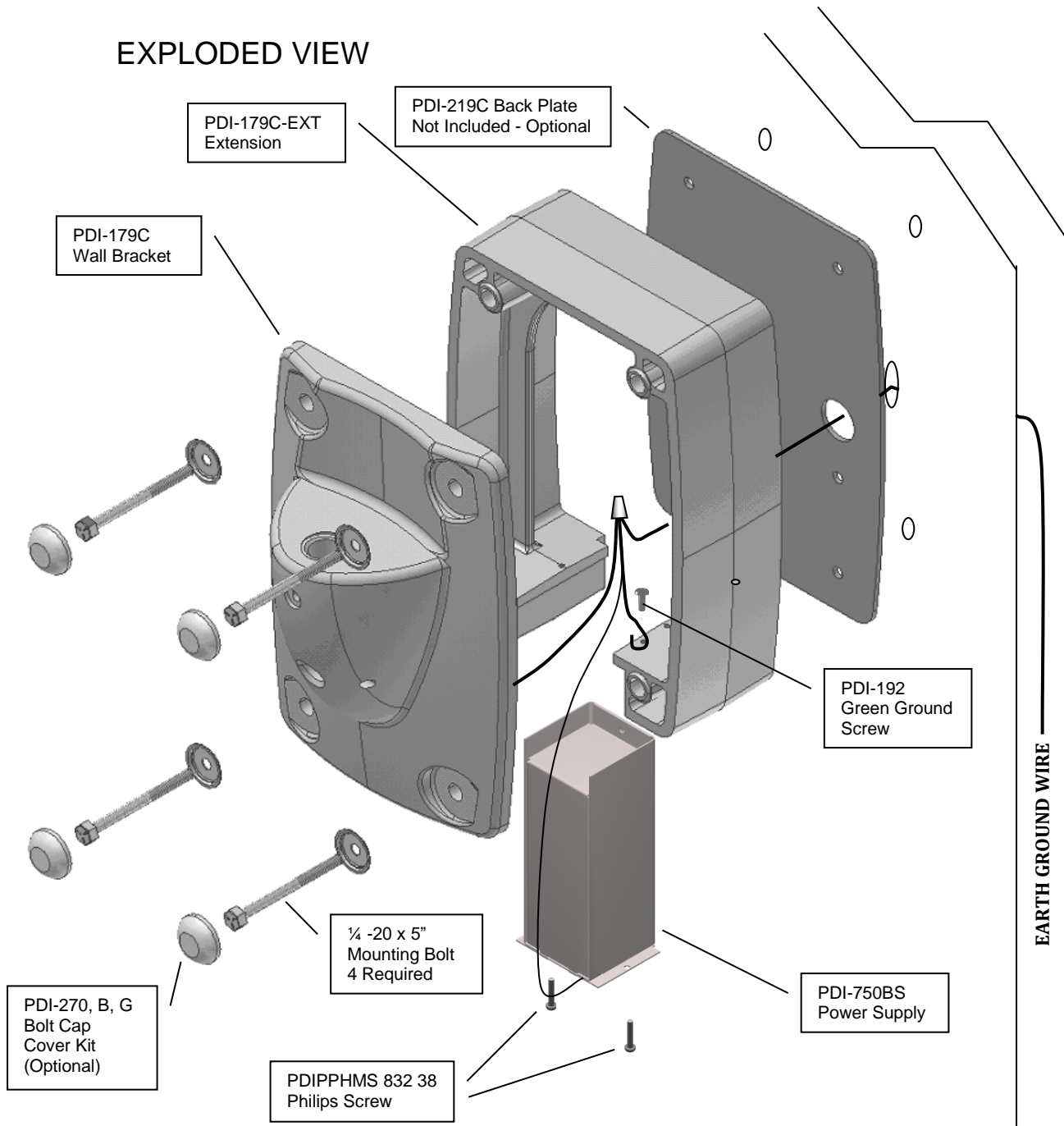


Fig. 5

Contact PDI Service for installation of these anchors in walls of alternate construction.  
 Ph: 1-800-628-9870, ext 505  
 email: [t1service@pdiam.com](mailto:t1service@pdiam.com)

**WALL BRACKET PARTS ASSEMBLY ORDER:**



**NOTE:** Grounding is required. Bond the three green ground screws, on the back of the PDI-179C, the PDI-179-EXT, and the PDI-750BS and connect these points to Earth ground.

**Ground Connection**

1. Obtain 10AWG (or lower) stranded copper wire with 90°C green/yellow-stripe insulation, or as required by local electrical code.
2. Terminate the wires at one end with Panduit P10-8RHT6 or equivalent listed terminal (not included) for a #8 screw.
3. Terminate the other end of the wire as appropriate for your installation.
4. Connect one end of the grounding cable to a permanent earth ground, such as the AC outlet wall plate.
5. Place the ring terminals attached to the grounding cables over the #8-32 screw (PDI-192).
6. Secure the grounding screw to the protective earthing location each individual part of this assembly.

## OTHER MOUNTING METHODS

There are other methods to mount the wall bracket, but the PREFERRED mounting is a backing plate system as described. The mounting method used must meet the requirements as described in WALL BRACKET GUIDELINES. The following mounting methods may be used if the previously listed precautions are adhered to.

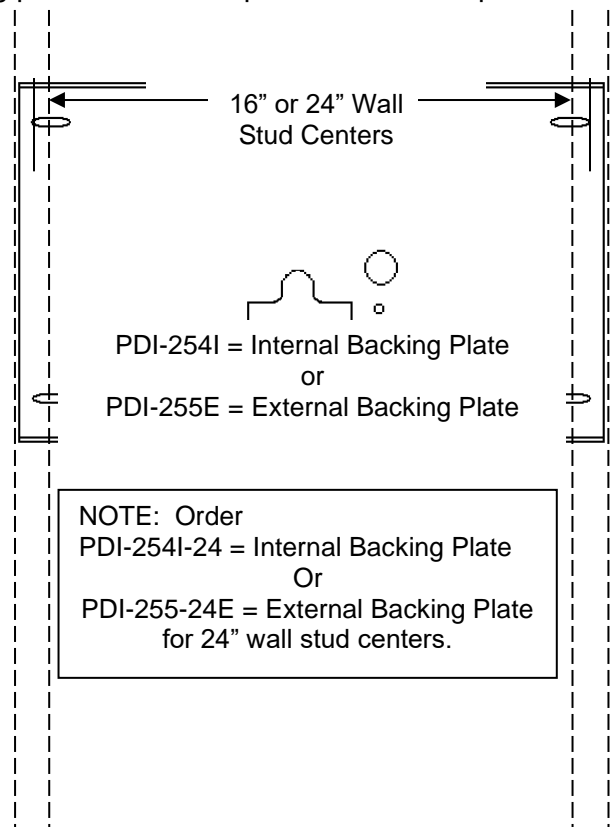
1. **SOLID CONSTRUCTION WALLS** – Concrete, brick, and some types of cement block, cement expansion anchors can be used.



**Special tests should be performed on the wall before installation of the expansion anchors in the area of the bracket mounting location. Proof test the load for the anchors to the manufacturer’s specifications in tension.**

It is the responsibility of the architect and/or structural engineer, in charge of the project, to sign and submit the necessary calculations that show the adequacy of the wall where the TV arm and mounting bracket will be installed. Drill four holes, which correspond to the wall bracket mounting bolt pattern, to the manufacturer’s specifications of the chosen mounting fastener. Install four HILTI, or equivalent, cement anchors per the manufacturer’s installation procedure. Position the wall bracket over the exposed mounting holes/studs. Thread bolt and washer through bracket and into hole or nut and washers over studs. Tighten all bolts.

2. **FABRICATED BACKING PLATE** – A fabricated plate is used that holds welded-on or pressed-in inserts. The studs (1/4”-20UNC-2A) would be located on hole centers that coincide with the wall bracket. The plate is then secured to the wall studs. Prefabricated plates PDI-254I or PDI-254I-24 and PDI-255E or PDI-255E-24 are available from PDI. Consult the backing plate instructions packed with each plate for installation details.



REFER TO FIGURE 6.

1. Attach coaxial cable from ARM to "F" fitting marked "RF/DC OUT". Wrench tighten.
2. Attach coaxial cable from Master Antenna TV System to "F" fitting marked "RF IN". Wrench tighten.
3. Connect a 10AWG or smaller earthing conductor, to the green EARTH GROUND screw.
4. Plug in line cord to 120 VAC outlet.

**IMPORTANT SAFETY INSTRUCTIONS**

Save these instructions for future reference.

Unplug this unit from the wall outlet before cleaning. Do not use liquid cleaners or aerosol cleaners. Use a damp cloth for cleaning.

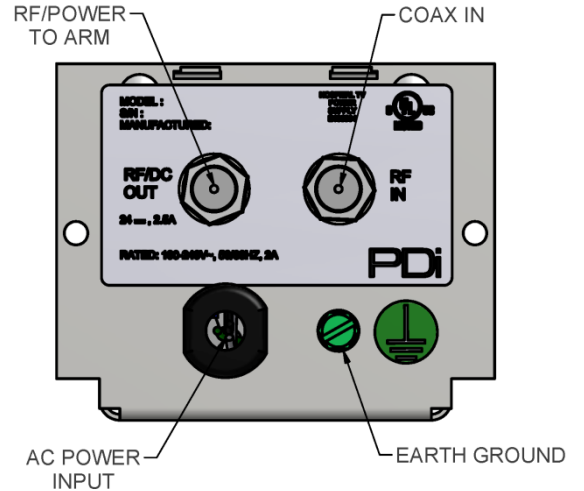
This unit does not require periodic maintenance other than cleaning.

	<b>WARNING: TO REDUCE RISK OF FIRE OR ELECTRIC SHOCK, DO NOT EXPOSE THIS POWER SUPPLY TO RAIN OR MOISTURE.</b>
	<b>THIS SUPPLY FOR USE ONLY WITH UL LISTED TV RECEIVER MARKED TO INDICATE USE WITH THIS POWER SUPPLY.</b>
	<b>CAUTION: TO REDUCE THE RISK OF ELECTRIC SHOCK, DO NOT REMOVE COVER. NO USER SERVICEABLE PARTS INSIDE. REFER SERVICING TO QUALIFIED SERVICE PERSONNEL.</b>

**PDI-771B - SPECIFICATIONS**

Input	100-240VAC, 60Hz, 2A
Output	24VDC, 2.5A
Insertion Loss (50MHz-850MHz)	<2dB
Return Loss (50MHz-850MHz)	>6dB

Fig. 6



**ACCESSORIES**

PDI-179RS-B/C/G	ARM ROTATIONAL STOP KIT - DUAL
PDI-254I	INTERNAL MOUNTING PLATE FOR 16" O.C. WALL STUDS
PDI-255E-B/C/G	EXTERNAL MOUNTING PLATE FOR 16" O.C. WALL STUDS
PDI-254I-24	INTERNAL MOUNTING PLATE FOR 24" ON CENTER WALL STUDS
PDI-255E-24	EXTERNAL MOUNTING PLATE FOR 24" ON CENTER WALL STUDS

**Troubleshooting Chart**

SYMPTOM	DETAILS
No Power	<ol style="list-style-type: none"> <li>1. Verify line cord is plugged into a powered AC wall outlet.</li> <li>2. Check that AC outlet has power.</li> <li>3. Check for 24VDC voltage on the RF/DC OUT jack.</li> </ol>
Snowy Picture	<ol style="list-style-type: none"> <li>1. Verify RF cable TV signal is connected to RF IN Jack.</li> </ol> <p>NOTE: If the input RF signal coax has been mistakenly connected to J1, the RF/DC OUT jack, the power supplies' DC voltage may have damaged externally connected RF passive devices reducing the cable TV signal strength.</p>



**APPENDIX**  
**KWIK BOLT 3 EXPANSION ANCHOR**

Table 1 – Installation Information Strength Design

Setting Information	Units	Nominal anchor diameter	
		1/4	3/8
Effective minimum embedment	In (mm)	1-1/2 (38)	2 (51)
Min. hole depth	In (mm)	2 (51)	2-5/8 (67)
Installation torque	Ft-lb (Nm)	4 (5)	20 (27)

Table 2 – Carbon Steel KB3 Strength Design

Design Information	Units	Nominal anchor diameter	
		1/4	3/8
Effective min. embedment	In (mm)	1-1/2 (38)	2 (51)
Min. hole depth in concrete	In (mm)	2 (51)	2-5/8 (67)
Pullout strength uncracked concrete	lb (kN)	1,575 (7.0)	NA
Pullout strength concrete on metal deck	lb (kN)	1,750 (7.8)	2,245 (10.0)
Installation torque	ft-lb (Nm)	4 (5)	20 (27)

**SNAPTOGGLE<sup>®</sup> HEAVY-DUTY HOLLOW-WALL ANCHORS**

Anchor	UNC thread	Drill dia.	1/2" Drywall	5/8" Drywall	*1/2" with 25 gauge stud	*5/8" with 25 gauge stud	Concrete block	1/2" steel plate	Stainless in 1/2" steel <sup>3</sup>
<b>BB</b>	<b>1/4"-20</b>	1/2"	265	356	425	464	1,080	1,288 <sup>2</sup>	1,735 <sup>1</sup>

