

	MODEL NUMBER: Pendant Mount	Document Number: PD196-424R2
	Installation Instructions	Page 1 of 4

INTRODUCTION

This document provides the information to assemble and install a Pendant Mount provided by PDi Communication Systems. These instructions cover the standard design of the pendant mount and any customizations that have been included may not be specifically outlined in these instructions.

SAFETY

1. Always wear safety glasses/goggles to prevent injury from debris.
2. Follow the installation/removal instructions for your existing products.

TOOLS REQUIRED

1. Phillips screwdriver
2. 3/16" hex wrench
3. Safety glasses/goggles

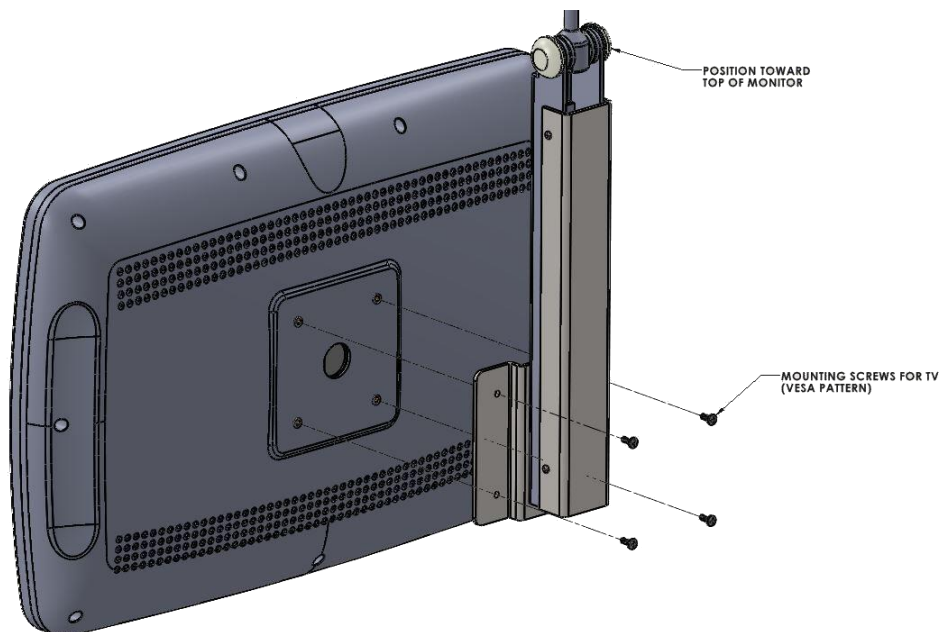
INSTALLATION

Included Hardware:

- 4 each; **PDIPPHMSM4X712** – Screw, M4 x 12mm long, Phillips Pan Head

Mounting TV to Pendant:

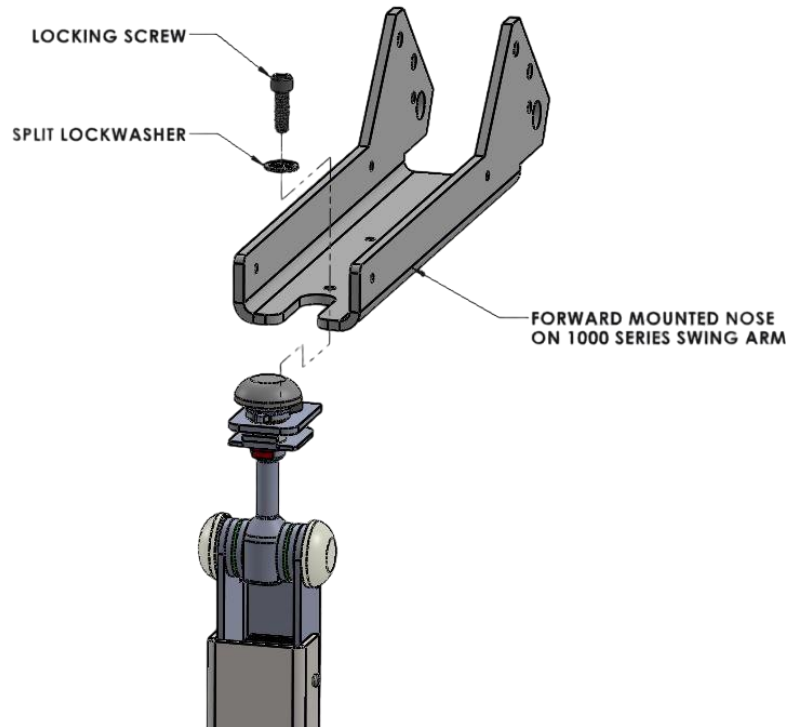
1. Place the monitor on the workbench face down. If necessary, place protective mat on workbench to ensure the viewing surface is not damaged. Feed the cables from the monitor through the rectangular hole in the pendant and thread them up and out the top. The cover can be removed if necessary to make this easier.
2. Attach the monitor to the Pendant as shown below, using the M4 screws, **PDIPPHMSM4X712**, provided. Ensure that the pendant is positioned so the pendant mounting is toward the top of the monitor. If the length needs to be corrected to mount the monitor, the holes have been sized for M4 screw diameter.



	MODEL NUMBER: Pendant Mount	Document Number: PD196-424R2
	Installation Instructions	Page 2 of 4

Mounting to the PDi Arm.

1. If they have been installed, remove the nose covers for the PDi swing arm. See Arm Installation Instructions for additional details.
2. Remove the 0.25-20 Socket head cap screw and lock washer from the swivel assembly with the 3/16" hex wrench and attach the pendant to the nose of the PDi arm. Align the hole in the nose with the hole in the swivel assembly and re-install 0.25-20 Socket head cap screw and lock washer, as shown below.



3. Re-install the covers for the PDi swing arm. See Arm Installation Instructions for additional details.
4. Connect the cables to each of the monitors as required, threading them through the hole in the horizontal beam of the arm. Reinstall the cover that was removed in Step 4.

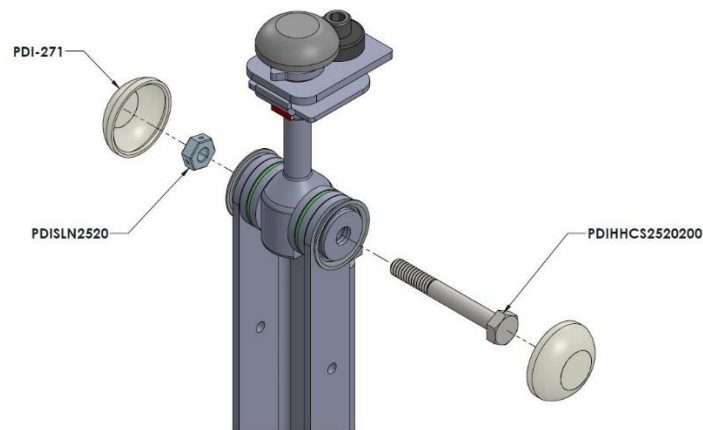
	MODEL NUMBER: Pendant Mount	Document Number: PD196-424R2
	Installation Instructions	Page 3 of 4

REVERSING THE SWIVEL MOUNT

If the desired direction the TV is facing changes, follow the steps below to switch the direction.

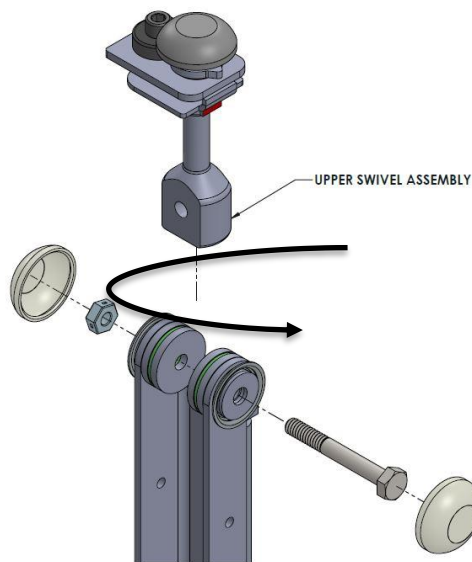
1. Remove the plastic Cap Plug, **PDI-271**.
2. Using two 7/16" hex wrenches, unscrew the Stover lock nut, **PDISLN2520**, and hex head bolt, **PDIHCS2520200**, as shown in Figure 6A.
 - a. NOTE: The hex head bolt is what holds the lower swivel assembly (swivel stem, brake discs, washers, etc.) together. If not secured, the lower swivel assembly will fall apart and will need to be reassembled before Step 3.

FIGURE 6A. UNSCREWING THE HEX BOLT



3. Rotate the entire upper swivel assembly one-hundred-eighty degrees. Refer to Figure 6B.

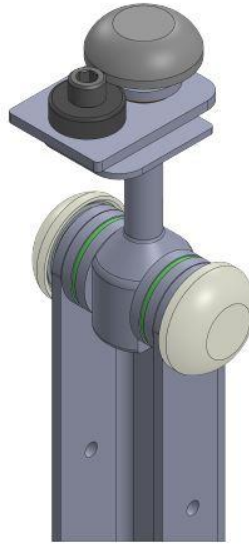
FIGURE 6B. ROTATING THE SWIVEL



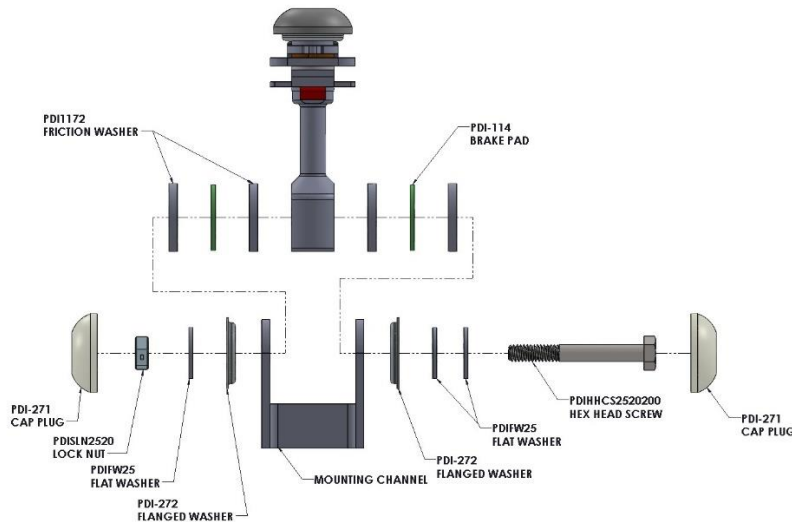
	MODEL NUMBER: Pendant Mount	Document Number: PD196-424R2
	Installation Instructions	Page 4 of 4

4. Realign the upper swivel assembly with the lower swivel assembly. Re-install the hex head bolt and Stover lock nut, tighten to 100in-lbs Torque. Re-assemble the Cap Plugs, as shown in Figure 6C.

FIGURE 6C. REATTACHING THE SWIVEL



5. If the components in the lower swivel move or their alignment is lost, align the components as shown below to arrange correctly.



WARRANTY

PDi Communication Systems Inc., ("PDi") standard warranty information is found at pdiam.com. For information regarding authorized servicing and all other information pertaining to this warranty, please contact PDi COMMUNICATION SYSTEMS, INC. at 40 Greenwood Ln, Springboro, Ohio 45066 or phone 800-628-9870 and ask for the PDi ProServices team.