	MODEL NUMBER: PD168-079	Document Number: PD196-432R1
	100mm x 200mm Wall Mount Installation Instructions	Page 1 of 2

Scope:

To install the PD168-079 wall mount kit to a PDi television.

Note: The maximum capacity for this mount is 50 pounds.

Tool List:

1. Safety glasses/goggles
2. P1 or P2 Phillips screwdriver
3. Level

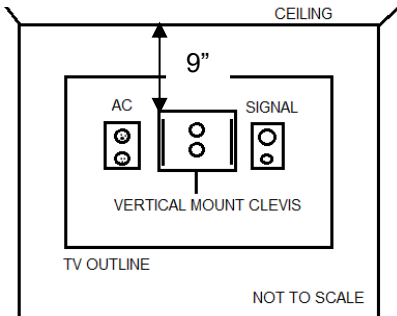
Safety Steps

1. Always wear safety glasses/goggles to prevent injury from debris.
2. Follow the installation/removal instructions for existing products.

Mounting Distances

9" Minimum from clevis to ceiling for a PDi **PDI-A32A**

PDI-A32A MOUNTING DISTANCE



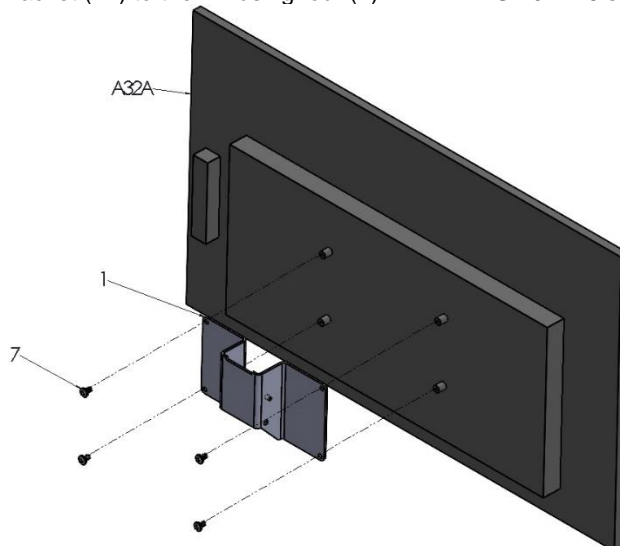
Bill of Material


Item	Part Number	Description	Qty
1	PD181-900	100mm X 200mm Mounting Bracket to LCD	1
2	PD181-674	Vertical Wall Mount Bracket	1
3	PDIPPHMS103238	10-32 X .375 Phillips Pan Head Machine Screw	2
4	PDII TLW10	Washer, Internal Tooth Lock, #10	2
5	PDIFW25	1/4" Flat Washer	2
6	PDISLW25	1/4" Lock Washer	1
7	PDIPPHMSM6X110	M6 x 1 x 10mm Long Phillips Head Screw	4

Installation Procedure:

Step 1:

Secure the **PD181-900** Mounting Bracket (#1) to the TV using four (4) **PDIPPHMSM6X110** screw (#7).

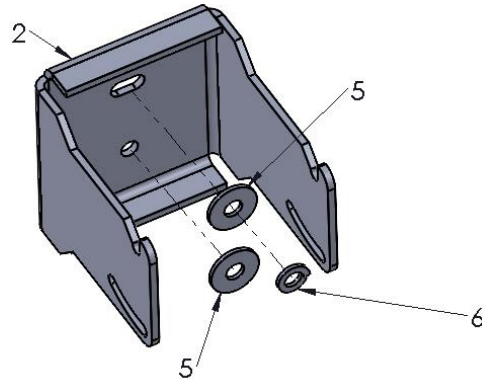


	MODEL NUMBER: PD168-079	Document Number: PD196-432R1
	100mm x 200mm Wall Mount Installation Instructions	Page 2 of 2

Step 2:

Attach **PD181-674** (#2) to the wall using customer supplied 1/4" fasteners following the mounting distance diagram dimensions. Place one (1) **PDIFW25** flat washer (#5) and one (1) **PDISLW25** lock washer (#6) on the top fastener and through the top slot in the bracket. Place the remaining **PDIFW25** flat washer (#5) on the bottom mounting fastener. Level the bracket using the top leveling slot and finish tightening fasteners.

Note: If not installing into a solid wood stud, PDi recommends using Snap Toggle Wall Anchors as outlined in Tech Bulletin **PDTCH-109**.



Step 3:

Carefully lift the set up and position the **PD181-900** Mounting Bracket (#1) inside the sides of **PD181-674** Wall Mount Clevis (#2) allowing the two side support pins of the **PD181-900** Mounting Bracket (#1) to rest in the two notches at the front of **PD181-674** Wall Mount Clevis (#2). Install two (2) **PDIPPHMS103238** screws (#3), and two (2) **PDITLW10** washers (#4) and finger tighten. Position the tilt of the TV as desired and tighten the **PDIPPHMS103238** screws (#3) until the TV holds in the desired position.

