	MODEL NUMBER: PD168-080	Document Number: PD196-430R1
	PD181-700 Articulating Arm with Adaptor Plate	Page 1 of 1

SCOPE:

To mount a **PD181-700** arm to a **PDI-A32A** TV using a **PD181-677** adaptor plate.
 Note: The maximum capacity for this mount is 30 pounds.

TOOL LIST:

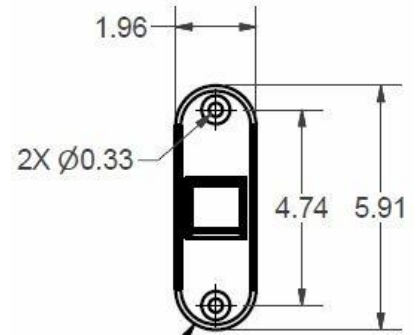
1. P1 or P2 Phillips Screwdriver
2. Safety Glasses/Goggles

SAFETY STEPS:

1. Always wear safety glasses/goggles to prevent injury from debris.
2. Follow the installation/removal instructions for your existing products

BILL OF MATERIAL:

Item	Part Number	Description	QTY
1	PD181-677	200mm to 100mm Adapter Plate	1
2	PD181-700	Wall Mount	1
3	PDIPPHMSM4X76	Screw, Phillips Pan Head, M4-0.7 x 6mm	4
4	PDIPPHMSM6X110	Screw, Phillips Pan Head, M6-1 x 10mm	4



PROCEDURE:

STEP 1:

Attach the adapter plate, **PD181-677** (#1) to the TV using four (4) screws, **PDIPPHMSM6X110**, (#4)

STEP 2:

Attach the mount, **PD181-700**, (#2) to the wall following the included instructions and fasteners.

STEP 3:

Attach the plate, **PD181-677**, (#1) to the mount, **PD181-700**, (#2) using four (4) screws, **PDIPPHMSM4X76**, (#3).

