	MODEL NUMBER: PD168-070	Document Number: PD196-408R2
	VESA Adapter & DVD Installation for A55B	Page 1 of 2

SCOPE:

The scope of this document is to provide the information for the installation of the Adapter Kit for a 400mm x 400mm VESA mount. This adapter will mount to various wall mount brackets that have an available 200mm x 200mm VESA pattern. This instruction also outlines the installation of the **PD181-816** DVD Bracket.

Note: The maximum capacity for this mount is 50 pounds.

TOOL LIST:

Safety glasses/goggles

5mm Hex Wrench

3/8" Wrench or Adjustable Wrench

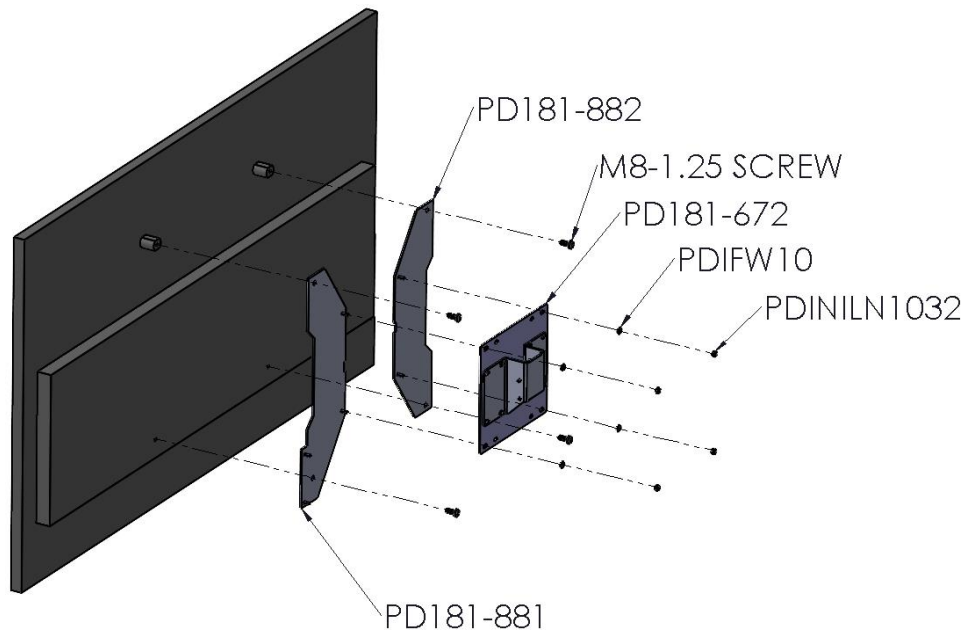
SAFETY STEPS:

1. Always wear safety glasses/goggles to prevent injury from debris.
2. Follow the installation/removal instructions for your existing products.


MOUNTING:

1. After unpacking the A55B television, place it face down on a horizontal surface. Make sure the surface is large enough and protected so the TV is resting on the bezel and not the display so there is no damage to the display.
2. Position the adapter brackets (**PD181-881** and **PD181-882**) on the back of the TV and attach to the TV with M8x1.25 screws (not included).

Note: The screw length should be such that at least 12mm of threads are engaged with the female threads in the TV. M8x1.25 x 20mm screws should be sufficient.



3. See Step 1 in document **PD196-141** (included) for instructions on how to assemble **PD168-033**.
 4. Attach the **PD181-672** to the adapters on the threaded studs on the adapter plates (Once installed, these will provide a 200mm x 200mm VESA pattern for the wall mount.) and affix with the washers (**PDIFW10**) and nuts (**PDINILN1032**).
 5. Tighten the threaded fasteners to 10-15in-lbs torque.
 6. See Steps 3 & 4 in document **PD196-141** (included) on how to complete the mounting process.
- Note: For reference when mounting **PD168-033** to the wall, the distance from the center of the 200mm VESA Pattern to the top of the A55B is 14.23inches (361.5mm).

	MODEL NUMBER: PD168-070	Document Number: PD196-408R2
	VESA Adapter & DVD Installation for A55B	Page 2 of 2

MOUNTING DVD BRACKET:

1. Assemble the DVD Bracket (**PD181-816**) on the threaded studs at the lower corner on the Adapter Plate (**PD181-881**) as shown below. Affix with the washers (**PDIFW10**) and nuts (**PDINILN1032**).
2. Tighten the threaded fasteners to 10-15in-lbs torque.
3. Follow the instructions provided with the DVD Mounting Kit (**PD251-048**) for its installation.

