	MODEL NUMBER: PD168-226	Document Number: PD196-365R2
	300 x 300 or 300 x 400 Wall Mount Kit Installation Instructions	Page 1 of 3

SCOPE:

To mount a TV using a PDI PD168-226 Wall Mount Kit.
 Note: The maximum capacity for this mount is 50 pounds.

TOOL LIST

1. P1 or P2, Phillips Screwdriver
2. Safety Glasses/Goggles
3. Level

SAFETY STEPS:

1. Always wear safety glasses/goggles to prevent injury from debris.
2. Follow the installation/removal instructions for your existing products.

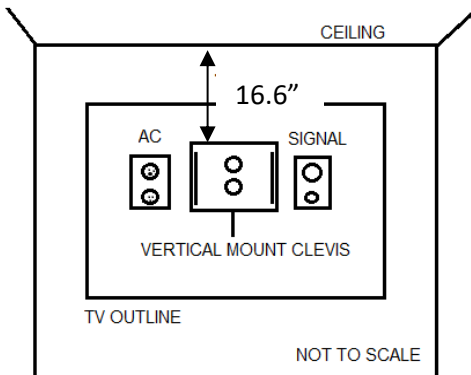
MOUNTING DISTANCE

16.6" minimum from clevis to ceiling for **50" Plastic LED TV**.
 19.75" minimum from clevis to ceiling for **55" SW LEDA TV**

BILL OF MATERIAL

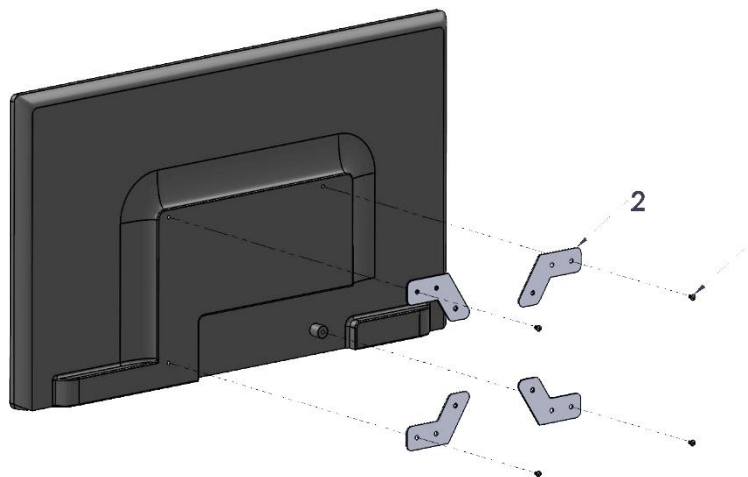
ITEM	PART NUMBER	DESCRIPTION	QTY
1	PDIPPHMSM6X110	M6 X 1 10mm PHILLIPS SCREW	4
2	PD181-825	ADAPTER BRACKET	4
3	PD168-033	200mm VESA Compliant Wall Mount	1


PROCEDURE TO MOUNT AN E50 LED TV:



STEP 1:

Attach the four (4) **PD181-825** Adapter Brackets (#2) to the back of the TV using four (4) **PDIPPHMSM6X110** screws (#1), leave screws finger tight.



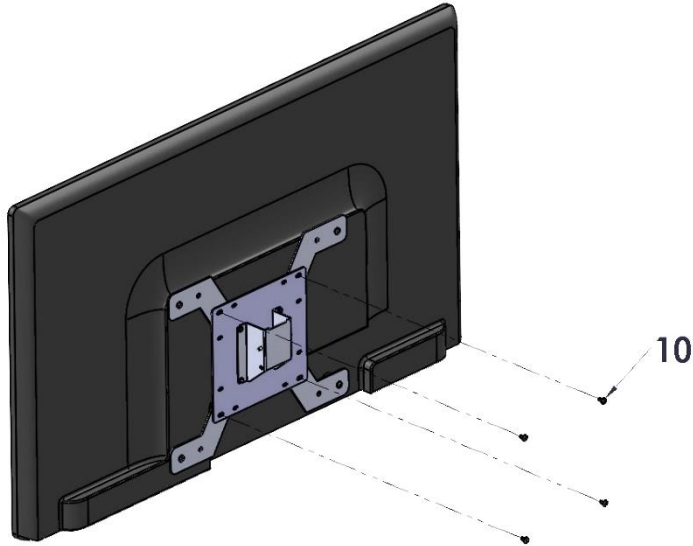
	MODEL NUMBER: PD168-226	Document Number: PD196-365R2
	300 x 300 or 300 x 400 Wall Mount Kit Installation Instructions	Page 2 of 3

STEP 2:

See Step 1 in document **PD196-141** (included) for instructions on how to assemble **PD168-033**.


STEP 3:

Align the threaded inserts in the **PD181-825** Adapter Brackets (#2) with the appropriate clearance slots in **PD168-033** wall mount (#3). Attach **PD168-033** to the TV using four (4) **PD1PPHMSM6X18** screws which are included in the **PD168-033** kit.

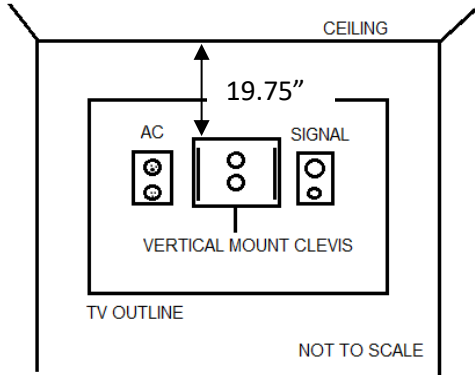


STEP 4:

See Steps 3 & 4 in document **PD196-141** (included) on how to complete the mounting process.

	MODEL NUMBER: PD168-226	Document Number: PD196-365R2
	300 x 300 or 300 x 400 Wall Mount Kit Installation Instructions	Page 3 of 3

PROCEDURE TO MOUNT AN SW55 LEDA TV:



Follow the same procedure as the E50 LED TV but place **PD181-825** in the configuration shown below.

