	MODEL NUMBER: PD168-033	Document Number: PD196-141R9
	200mm VESA Compliant Wall Mount Kit Installation Instructions	

SCOPE:

To mount a TV using a PDI **PD168-033** wall mount kit.
 Note: The maximum capacity for this mount is 50 pounds.

TOOL LIST

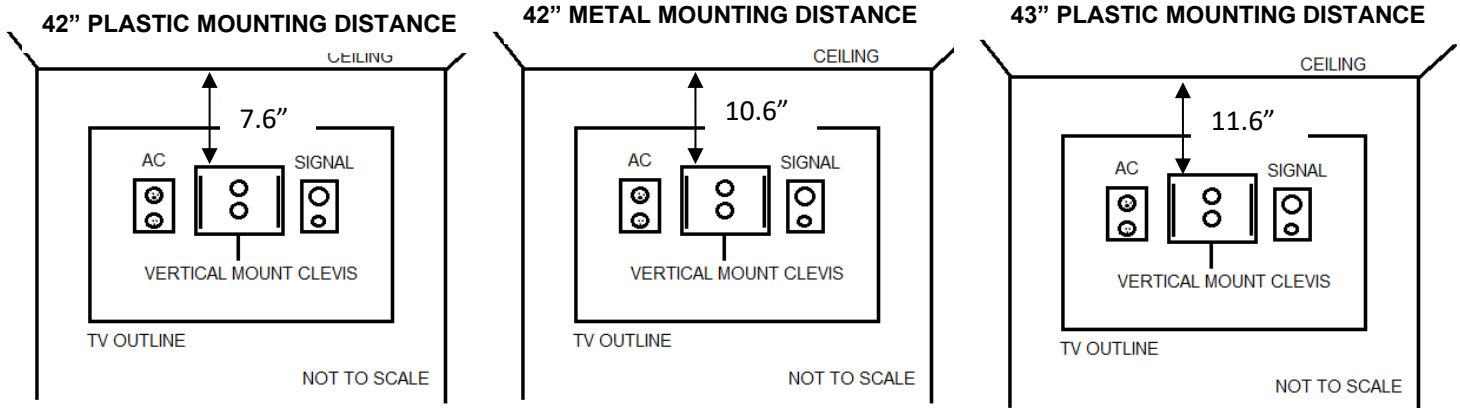
1. P1 or P2, Phillips Screwdriver
2. Safety Glasses/Goggles
3. Level

SAFETY STEPS:

1. Always wear safety glasses/goggles to prevent injury from debris.
2. Follow the installation/removal instructions for your existing products.

MOUNTING DISTANCES

7.6" Minimum from clevis to ceiling for a PDi **42" Plastic LED TV**
 10.6" Minimum from clevis to ceiling for a PDi **42" Metal LED TV**
 11.6" Minimum from clevis to ceiling for a PDi **43" LED TV**



BILL OF MATERIAL:

ITEM	PART NUMBER	DESCRIPTION	QTY
1	PD181-672	200mm TO 100mm ADAPTER PLATE	1
2	PD181-674	VERTICAL WALL MOUNT CLEVIS	1
3	PD181-596	MOUNTING BRACKET	1
4	PDIPPHMS103238	10-32 X .375 PHILLIPS PAN HEAD MACHINE SCREW	2
5	PDIITLW10	#10 INTERNAL TOOTH LOCK WASHER	6
6	PDIPPHMSM4X76	M4-.7 X 6mm PPHMS	4
7	PDIFW25	1/4" FLAT WASHER	2
8	PDISLW25	1/4" LOCK WASHER	1
9	PDIPPHMSM6X110	M6 X 1 10mm PHILLIPS SCREW	4
10	PDIPPHMSM6X18	M6 x 1 8mm PHILLIPS SCREW	4
11	PDIPPHMSM5X810	M5 x 0.8 10mm PHILLIPS SCREW	4


PROCEDURE TO MOUNT A TV:

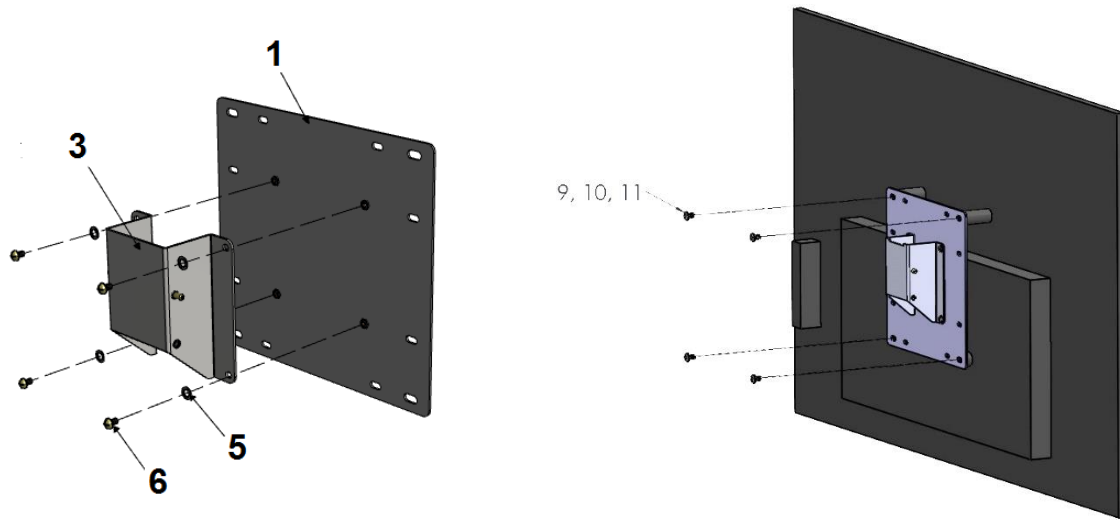
STEP 1:

Attach the **PD181-596** Mounting Bracket (#3) to the **PD181-672** Plate (#1) using four (4) **PDIPPHMSM4X76** screws (#6) and four (4) **PDIITLW10** washers (#5). Make sure the **PD181-596** Mounting Bracket (#3) is attached to the side of the chosen plate with the four round ends of the M4 inserts. The side with the four hex ends will go towards the back of the set.

STEP 2:

Attach parts previously assembled on Step #1 to the TV using four (4) **PDIPPHMSM6X110** screws (#9) for a 42" Plastic TV, four (4) **PDIPPHMSM6X18** screws (#10) for a 42" Metal TV, and four (4) **PDIPPHMSM5X810** screws (#11) for a 43" Plastic TV.

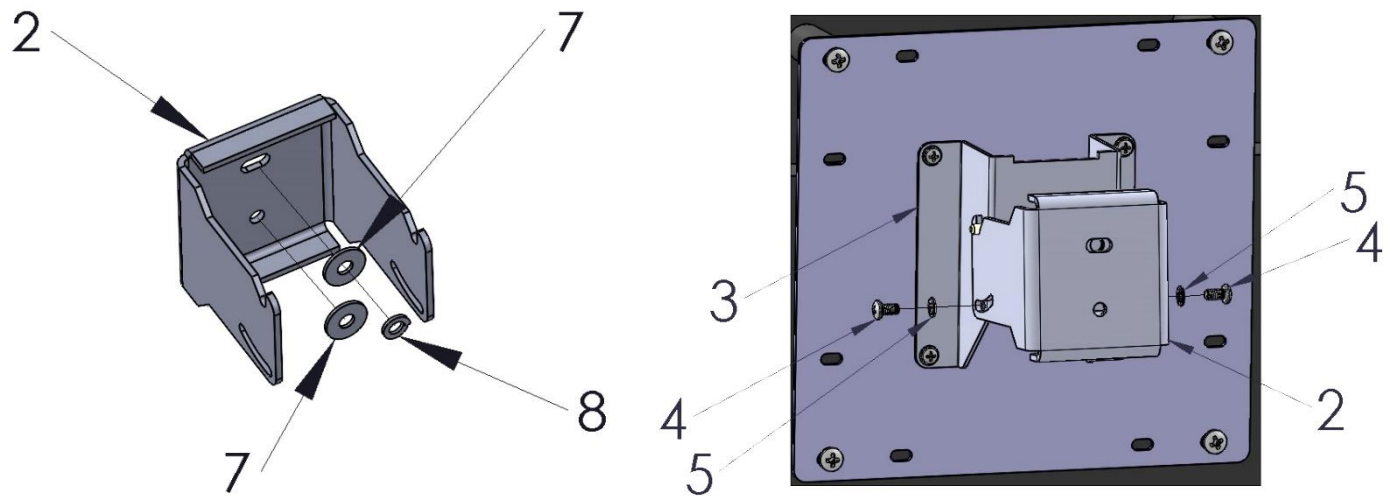
	MODEL NUMBER: PD168-033	Document Number: PD196-141R9
	200mm VESA Compliant Wall Mount Kit Installation Instructions	



STEP 3:

Attach **PD181-674** (#2) to the wall using customer supplied 1/4" fasteners following the mounting distance diagram dimensions. Place one (1) **PDIFW25** flat washer (#7) and one (1) **PDISLW25** lock washer (#8) on the top fastener and through the top slot in the bracket. Place the remaining **PDIFW25** flat washer (#7) on the bottom mounting fastener. Level the bracket using the top leveling slot and finish tightening fasteners.

Note: If not installing into a solid wood stud, PDi recommends using Snap Toggle Wall Anchors as outlined in Tech Bulletin **PDTCH-109**.




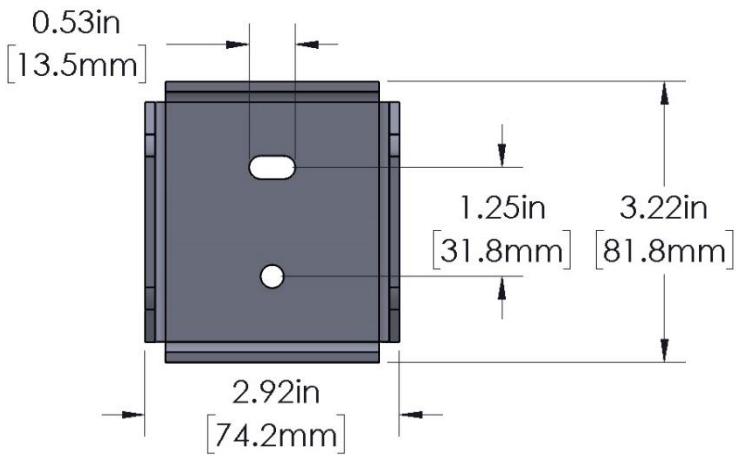
STEP 4:

Carefully lift the set up and position the **PD181-596** Mounting Bracket (#3) inside the sides of **PD181-674** Wall Mount Clevis (#2) allowing the two side support pins of the **PD181-596** Mounting Bracket (#3) to rest in the two notches at the front of **PD181-674** Wall Mount Clevis (#2). Install two (2) **PDIPPHMS103238** screws (#4), and two (2) **PDITLW10** washers (#5) and finger tighten. Position the tilt of the TV as desired and tighten the **PDIPPHMS103238** screws (#4) until the TV holds in the desired position.

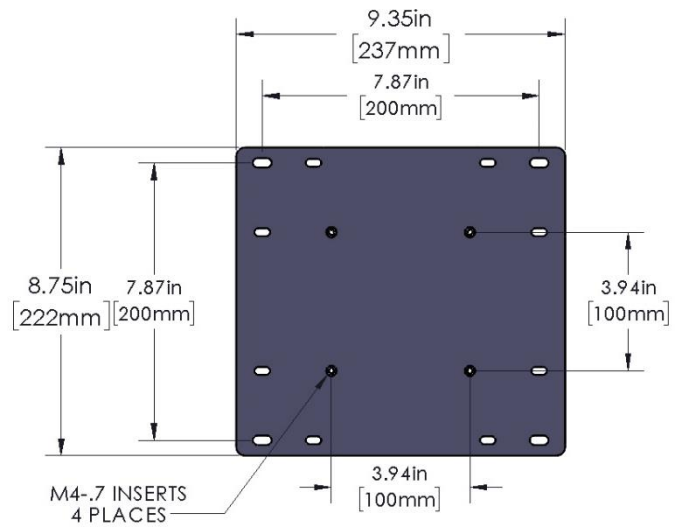
VESA PATTERNS:

- 100MM X 100MM WITH M4 THREADS
- 100MM X 200MM FOR M5 FASTENERS
- 200MM X 200MM FOR M6 FASTENERS

	MODEL NUMBER: PD168-033	Document Number: PD196-141R9
	200mm VESA Compliant Wall Mount Kit Installation Instructions	Page 3 of 3



PD181-674



PD181-672