

	MODEL NUMBER: Arm Mounted PDi TV	Document Number: PD196-428R1
	Installation Instructions	Page 1 of 2

INTRODUCTION

This document provides the information to install any arm mounted PDi TV with top mount. These instructions cover the standard design of the arm mounted PDi TV with top mount and any customizations incorporated may not be specifically outlined in these instructions.

Note: For Rear Mounted TV's see the specific Installation Instruction for the mount.

SAFETY

1. Always wear safety glasses/goggles to prevent injury from debris.
2. Follow the installation/removal instructions for your existing products.

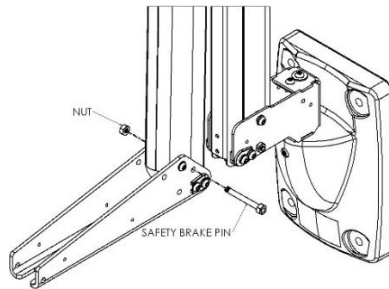
TOOLS REQUIRED

1. 3/16" hex wrench
2. Safety glasses/goggles

INSTALLATION



DANGER: ARM RECOIL HAZARD. The safety brake pin must remain in the SAFETY BRAKE PIN HOLE whenever the television set is removed from the arm or when the arm is removed from the wall bracket to prevent the arm from springing open.



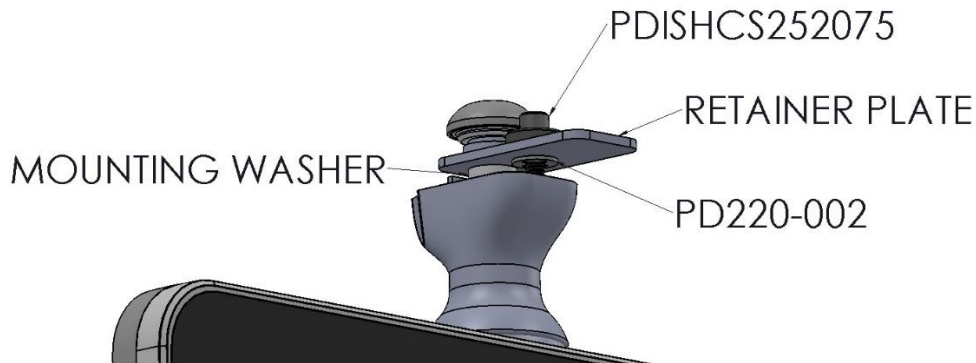
1. Remove PDi TV from the box. Be sure to save the foam inserts and the box as they will be needed if you ever need to return your PDi TV.

Note: Store the monitor as shown when not mounted on the arm.

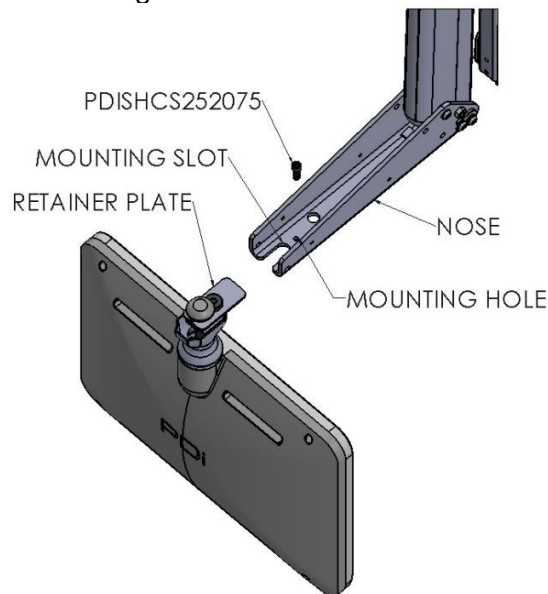


	MODEL NUMBER: Arm Mounted PDi TV	Document Number: PD196-428R1
	Installation Instructions	Page 2 of 2

- Remove screw PDISHCS252075 and retaining washer PD220-002. Discard the washer PD220-002 and place screw PDISHCS252075 to the side.



- If they have been installed, remove the nose covers for the PDi swing arm. See Arm Installation Instructions for additional details.
- Slide the PDi TV into the nose so that mounting washer fits inside the slot in the nose, the retainer plate rests inside the nose and the hole in the retainer plate aligns with the mounting hole of the nose. Install screw PDISHCS252075 in the mounting hole.



- Connect the cables from the arm to the PDi TV as required, be sure to follow all appropriate safety procedures for working with the cables.
- Re-install the covers for the PDi swing arm. See Arm Installation Instructions for additional details.

WARRANTY

PDi Communication Systems, Inc., ("PDi") standard warranty information is found at pdiam.com. For information regarding authorized servicing and all other information pertaining to this warranty, please contact PDi COMMUNICATION SYSTEMS, INC. at 40 Greenwood Ln, Springboro, Ohio 45066 or phone 800-628-9870 and ask for the PDi ProServices team.