

INTRODUCTION

This document outlines the installation instructions of the Wall Mounted Xbox Series X game console in conjunction with a PDI-179 or PDI-871 Wall Bracket.

SAFETY

1. Always wear safety glasses/goggles to prevent injury from debris.
2. Follow the installation/removal instructions for your existing products.

TOOLS REQUIRED

1. Safety glasses/goggles
2. 7/16" socket with ratchet driver
3. Driver for spanner bit (1/4" hex)

PARTS LIST for KIT:

- 1 each - PD181-893: Bracket, Mounting
- 1 each - PD181-894: Bracket, Cover
- 4 each – PD209-088: Screw, Tamper Resistant Spanner, #6-32 x 0.25"
- 2 each – PDIFW6: #6 Flat Washer.
- 1 each – PD219-135: Bit, 1/4" Hex Spanner, #6 Screw

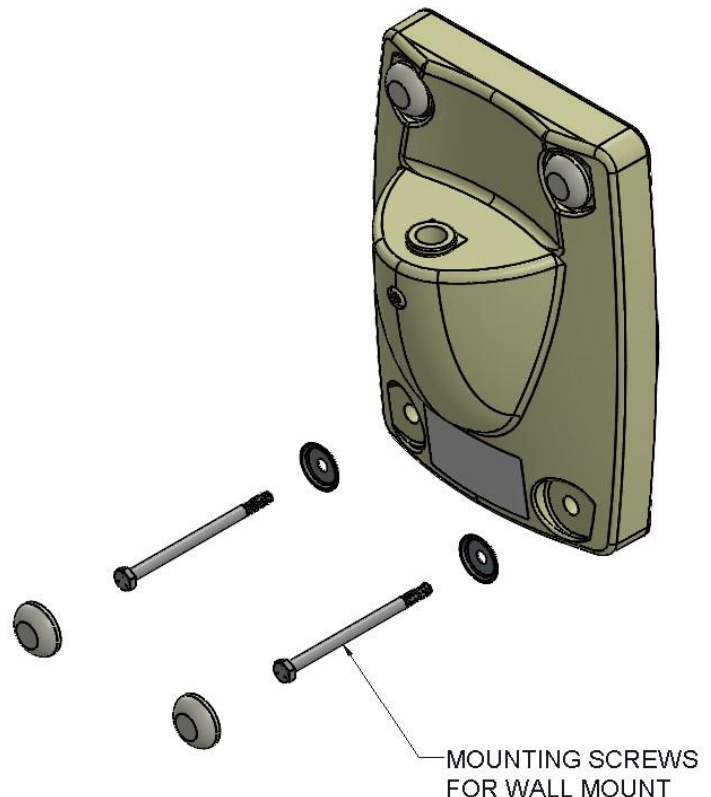
INSTALLATION

If the wall mount is already installed

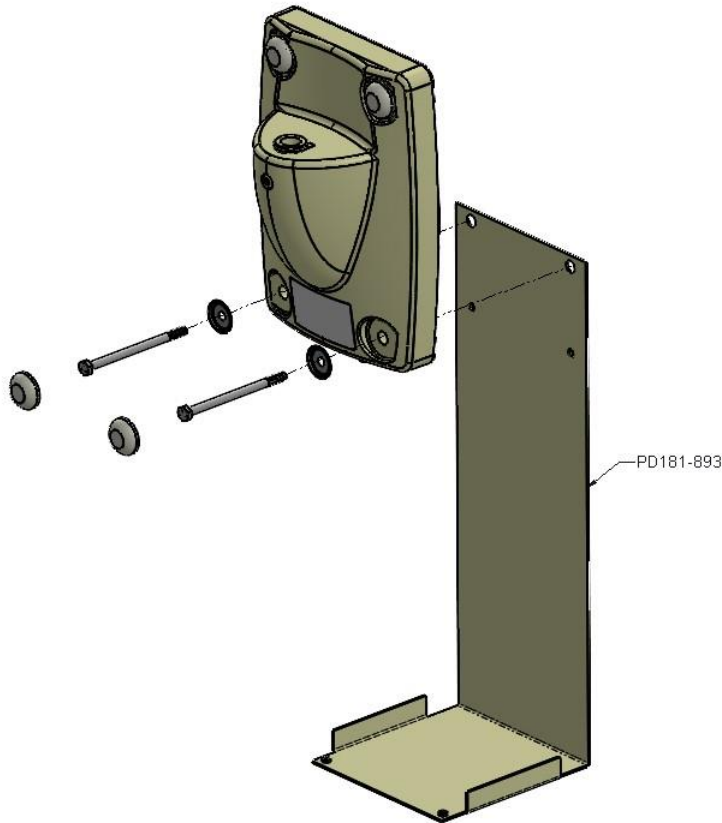
1. Remove the TV and Support Arm according to the recommended instructions.
2. Remove the bottom 2 screws of the wall mount.
3. Loosen the top two screws enough to provide room to allow clearance for the mounting bracket, PD181-893. Go to step 6.

If the wall mount has not been installed,

4. Follow the instructions to locate and drill the mounting holes for the Wall Mount.
5. Insert the top two screws as instructed, but do not tighten.



6. Insert the mounting bracket, PD181-893 between the Wall Mount and the wall.
7. Align the top two holes with the holes in the Wall Mount and insert / re-insert the screws and tighten all four screws according to the instructions for the Wall Mount.



8. Place the Xbox Series X console on the Mounting Bracket as shown.
9. Attach the Cover Bracket to the Mounting Bracket as shown, using the Tamper Resistant Screws and Washers as shown.

