

	MODEL NUMBER: Dual Monitor Mount Arm	Document Number: PD196-415R2
	Installation Instructions	Page 1 of 5

INTRODUCTION

This document provides the information to assemble and install a Dual Monitor Mount Arm provided by PDi Communication Systems. These instructions cover the standard design of the dual mount and any customizations that have been included may not be specifically outlined in these instructions.

SAFETY

1. Always wear safety glasses/goggles to prevent injury from debris.
2. Follow the installation/removal instructions for your existing products.

TOOLS REQUIRED

1. Phillips screwdriver
2. 7/16" & 1/2" wrenches
3. 3/16" hex wrench
4. Safety glasses/goggles

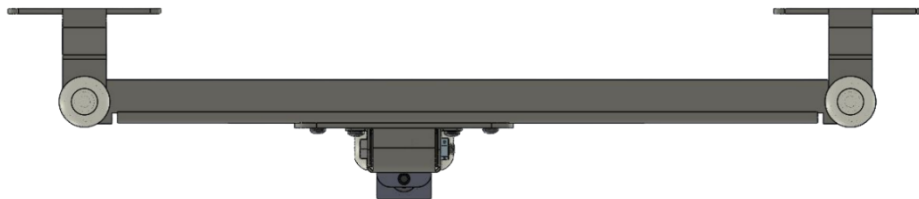
INSTALLATION

Included Hardware:

- 8 each; **PDIPPHMSM4X712** – Screw, M4 x 12mm Long, Phillips Pan Head

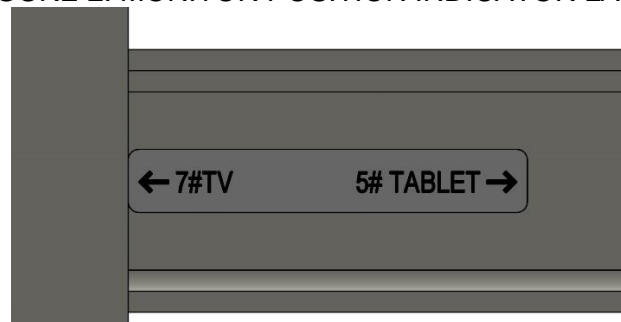
1. Lay the Dual Monitor Mount on the table so that the monitor mounting surface is face up (See figure 1.).

FIGURE 1. ARM ORIENTATION



Note that there is a label on the left side that indicates the positioning of the monitors, by their weight. (See Figure 2.).

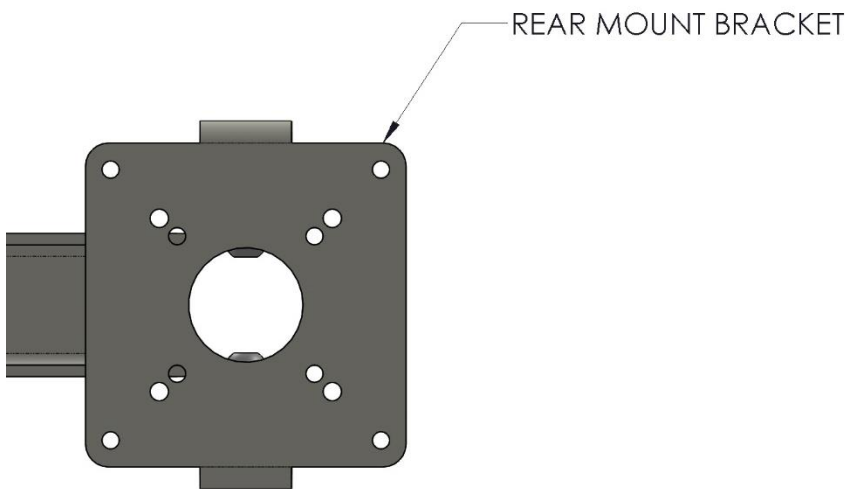
FIGURE 2. MONITOR POSITION INDICATOR LABEL



	MODEL NUMBER: Dual Monitor Mount Arm	Document Number: PD196-415R2
	Installation Instructions	Page 2 of 5

- Place the monitors on the workbench face down. If necessary, place protective mat on workbench to ensure the viewing surface is not damaged. Position the monitors so that they are in front of the end indicated by the label in Figure 2. Ensure that they are oriented properly, so that when mounted, they are both right side up.
- Connect the monitors to the Rear Mount Bracket on the Dual Mount Arm (See Figure 3.). PDi has provided M4 x 12mm mounting screws to connect the monitors. If these will not fit properly, secure the appropriately sized screws to attach the monitors. The available patterns are 38mm (1.50"), 48mm and 75mm square.

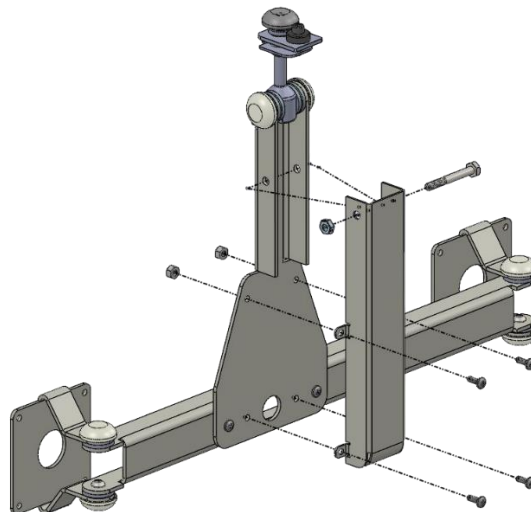
FIGURE 3. REAR MOUNT BRACKET



Note: If there are cables that come out of the monitor, as they do with PDi manufactured medTVs and medTABs, feed the cables through the hole in the monitor mounting plate prior to attaching the monitor to the Dual Monitor Mount Arm.

- Remove the cover from the Dual Mount Arm as shown in Figure 4. Do not discard any of the parts as they will be needed later.

FIGURE 4. COVER REMOVAL



	MODEL NUMBER: Dual Monitor Mount Arm	Document Number: PD196-415R2
	Installation Instructions	Page 3 of 5

5. If they have been installed, remove the nose covers for the PDi swing arm. See Arm Installation Instructions for additional details.
6. Remove the 0.25-20 socket head cap screw and lock washer from the swivel assembly with the 3/16" hex wrench and attach the Dual Mount Arm to the nose of the PDI arm. Align the hole in the nose with the hole in the swivel assembly and re-install 0.25-20 socket head cap screw and lock washer, as shown in Figure 5 & 6.

FIGURE 5. MOUNTING DUAL ARM TO SWING ARM

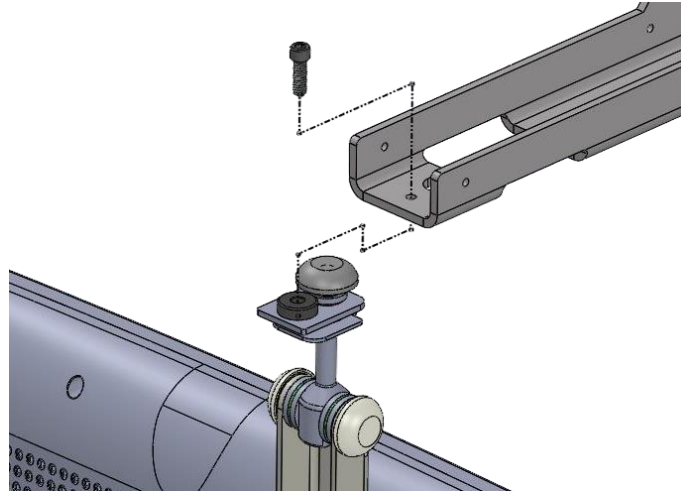
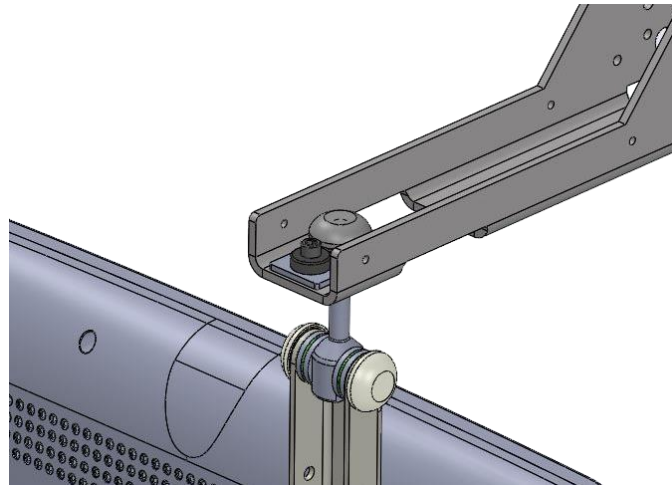


FIGURE 6. MOUNTING DUAL ARM TO SWING ARM



7. Install the covers for the PDi swing arm, if they have not been installed. See Arm Installation Instructions for additional details.
8. The Dual Monitor Mount Arm should be very near horizontal. If it leans heavily to one side, confirm the monitors are mounted on the correct sides. If the weight of the monitors does not meet the weights indicated on the arm, as mentioned in Step 1, the arm will not "balance" in a near horizontal position.
9. Connect the cables to each of the monitors as required, threading them through the hole in the horizontal beam of the arm. Reinstall the cover that was removed in Step 4.

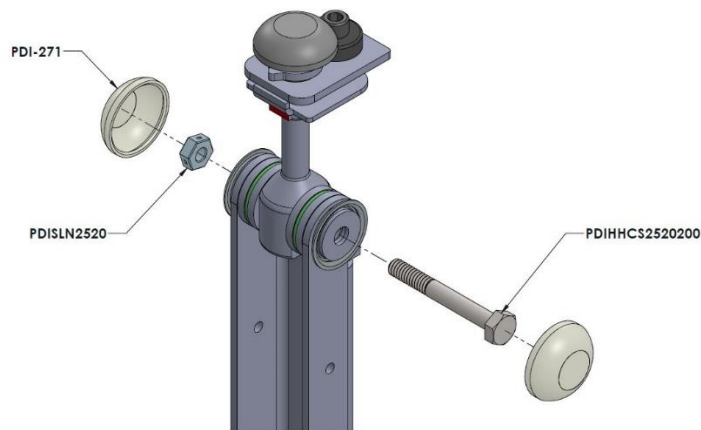
	MODEL NUMBER: Dual Monitor Mount Arm	Document Number: PD196-415R2
	Installation Instructions	Page 4 of 5

REVERSING THE SWIVEL MOUNT

If the desired direction the TV is facing changes, follow the steps below to switch the direction.

1. Remove the plastic Cap Plug, **PDI-271**.
2. Using two 7/16" hex wrenches, unscrew the Stover lock nut, **PDISLN2520**, and hex head bolt, **PDIHCS2520200**, as shown in Figure 6A.
 - a. NOTE: The hex head bolt is what holds the lower swivel assembly (swivel stem, brake discs, washers, etc.) together. If not secured, the lower swivel assembly will fall apart and will need to be reassembled before Step 3.

FIGURE 6A. UNSCREWING THE HEX BOLT



3. Rotate the entire upper swivel assembly one-hundred-eighty degrees. Refer to Figure 6B.

FIGURE 6B. ROTATING THE SWIVEL

