



GO-GO™ Gamer Cart System

Games-On-the-GO™ Portable Patient Gamer System

PDI-G024, Gamer Cart with 24" Hospital TV Display

PDI-G032, Gamer Cart with 32" Hospital TV Display

SAFETY INFORMATION

	This symbol indicates that dangerous voltage constituting a risk of electric shock is present within this unit.
	This symbol indicates that there are important operating and maintenance instructions in the literature accompanying this unit.

	CAUTION	
RISK OF ELECTRIC SHOCK, DO NOT OPEN!		
CAUTION: TO REDUCE THE RISK OF ELECTRIC SHOCK, DO NOT REMOVE COVER. NO USER SERVICEABLE PARTS INSIDE. REFER SERVICING TO QUALIFIED SERVICE PERSONNEL		



Overhead Falling Hazard

TV can pose a striking hazard when mounted at an elevated position. Use only PDi mounting brackets, support arms, and appropriate hardware to assure TV will not fall from the mounted position. Failure to do so may cause injury or death.



Rain and Moisture

WARNING: To avoid the hazards of fire or electrical shock, DO NOT expose this apparatus to rain or moisture.



Oxygen Environment

WARNING: Do not use in any oxygen tent or oxygen chamber. Such use may cause a fire hazard.

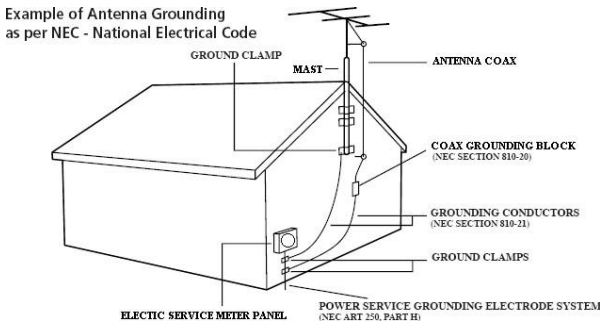


Wet Location

Do not use this apparatus near water. Apparatus shall not be exposed to dripping or splashing and no objects filled with liquids, such as vases, shall be placed on the apparatus.

Note to Cable TV Installer

This reminder is provided to call the cable TV systems installer's attention to Article 820-40 of the National Electrical Code. The code provides guidelines for proper grounding and in particular specifies that the cable ground shall be connected to the grounding system of the building, as close to the point of the cable entry as practical. Canadian installations shall be properly grounded in accordance with the Canadian Electrical Code, Part 1.



Trademarks


© 2021 PDi Communication Systems, Inc. All rights reserved. PDi®, medTV® and medTAB® are registered trademarks of PDi Communication Systems, Inc. Manufactured under license from Dolby Laboratories. Dolby, Dolby Audio, and the double-D symbol are trademarks of Dolby Laboratories. The terms HDMI, HDMI High-Definition Multimedia Interface, and the HDMI Logo are trademarks or registered trademarks of HDMI Licensing Administrator, Inc. Product logos, brands and other trademarks displayed within PDi's products are the property of their respective trademark holders, who are not affiliated with, endorsing, or sponsoring PDi Communication Systems, Inc. or our products.

Disclaimer

The author and publisher have used their best efforts in preparing this manual. PDi Communication Systems, Inc. makes no representation or warranties with respect to the accuracy or completeness of the contents of this manual and specifically disclaims any implied warranties or merchantability or fitness for any particular purpose and shall in no event be liable for any loss of profit or any other damages. The information contained herein is believed accurate, but is not warranted, and is subject to change without notice or obligation.

Cleaning and Disinfection

Clean the exterior of this television by removing dust with a lint-free cloth. Spot test a new disinfectant by test cleaning a non-obvious small spot on the TV's back cabinet, keypad, and LCD panel. PDi recommends using a premoistened disinfectant cloth, like PD600-001 Super Sani-Cloth or similar, or spraying cleaner onto a dry cloth and then wiping the unit. Specific recommendations can be found at www.pdiarm.com. CAUTION: To avoid damage to the surface of the television, do not use abrasive or chemical cleaning agents.

	MODEL NUMBER: GO-GO™ Gamer Cart	Document Number: PD196-410R3
	Assembly Instructions	Page 3 of 9

SAFETY INSTRUCTIONS

THIS INSTALLATION SHOULD BE MADE BY A QUALIFIED SERVICE PERSON AND SHOULD CONFORM TO ALL LOCAL CODES.

READ AND FOLLOW THE SAFETY INSTRUCTIONS BEFORE ATTEMPTING THIS INSTALLATION

1. Read these Instructions – All the safety and operating instructions should be read before the product is operated.
2. Keep these Instructions – The safety and operating instructions should be retained for future reference.
3. Heed all warnings – All warnings on the product and in the operating instructions should be adhered to.
4. Follow all instructions – All warnings on the product and in the operating instructions should be followed.
5. Do not use this apparatus near water – for example, near a bathtub, wash bowl, in a wet basement; or near a swimming pool; and the like.
6. Cleaning – Please see specific recommendations under “Cleaning and Disinfection” on previous page.
7. Do not block any ventilation openings. Install in accordance with the manufacturer’s instructions. The openings should never be blocked by placing the product on a bed, sofa, rug, or other similar surface.
8. Do not install near any heat sources such as radiators, heat registers, stoves, or other apparatus (including amplifiers) that produce heat.
9. DO NOT defeat the safety purpose of the polarized or grounding-type plug. This product is equipped with a three-wire grounding-type plug, a plug having a third (grounding) pin. This plug will only fit into a grounding-type power outlet. This is a safety feature. If you are unable to insert the plug into the outlet, contact your electrician to replace your obsolete outlet.
10. Protect the power cord from being walked on or pinched particularly at plugs, convenience receptacles, and the point where they exit from the product.
11. Attachments only use attachments/accessories specified by the manufacturer.
12. Use only with the cart, stand, tripod, bracket, or table specified by the manufacturer, or sold with the apparatus. When a cart is used, use caution when moving the cart/apparatus combination to avoid injury from tip-over.
13. Unplug this apparatus during lightning storms or when unused for extended periods of time.
14. Refer all servicing to qualified service personnel. Servicing is required when the apparatus has been damaged in any way, such as power-supply cord or plug is damaged, liquid has been spilled or objects have fallen into the apparatus, the apparatus has been exposed to rain or moisture, does not operate normally, or has been dropped.
15. Power Sources – This product should be operated only from the type of power source indicated on the marking label. If you are not sure of the type of power supply to your home, consult your product dealer or local power company. For products intended to operate from battery power, or other sources, refer to the operating instructions.
16. Oxygen Environment – Do not use in an oxygen tent or oxygen chamber. Such use may cause a fire hazard.
17. Lightning – For added protection for this product during a lightning storm, or when it is left unattended and unused for extended periods of time, unplug it from the wall outlet and disconnect the antenna or cable system. This will prevent damage to the product due to lightning and power-line surges.
18. Servicing – Do not attempt to service this product yourself as opening or removing covers may expose you to dangerous voltage or other hazards. Refer all servicing to qualified service personnel.



SAFETY INSTRUCTIONS (FRENCH)

	Ce symbole indique qu'une tension dangereuse constituant un risque de choc électrique est présente dans cet appareil.		AVERTISSEMENT	
	Ce symbole indique qu'il existe des instructions d'utilisation et d'entretien importantes dans la documentation accompagnant cet appareil.	AVERTISSEMENT: AFIN DE RÉDUIRE LE RISQUE DE CHOC ÉLECTRIQUE, NE PAS RETIRER LE COUVERCLE. L'APPAREIL NE CONTIENT AUCUN COMPOSANT SUSCEPTIBLE D'ÊTRE RÉPARÉ PAR L'UTILISATEUR. CONFIER L'ENTRETIEN À DU PERSONNEL QUALIFIÉ		

Danger chute d'objets


AVERTISSEMENT: Afin d'éviter toute blessure, cet appareil doit être solidement fixé au sol/mur conformément aux instructions d'installation. Les télévisions peuvent présenter un risque de heurt lorsqu'elles sont montées en position élevée. Utiliser uniquement des supports de montage, des bras de support et le matériel approprié de PDi afin d'assurer que la télévision ne tombe pas de sa position de montage. Le non-respect de ces instructions peut causer des blessures ou la mort.

Pluie et humidité


AVERTISSEMENT: Afin d'éviter les risques d'incendie ou de choc électrique, NE PAS exposer cette télévision à la pluie ou à l'humidité ou l'utiliser dans un endroit humide.


Environnement d'oxygène


AVERTISSEMENT: Ne pas utiliser dans une tente à oxygène ou chambre à oxygène. Une telle utilisation peut causer un risque d'incendie.

CONSIGNES DE SÉCURITÉ IMPORTANTES

CETTE INSTALLATION DOIT ÊTRE EFFECTUÉE PAR UN TECHNICIEN QUALIFIÉ ET DOIT ÊTRE CONFORME À TOUS LES CODES LOCAUX. LIRE ET SUIVRE LES CONSIGNES DE SÉCURITÉ AVANT DE PROCÉDER À L'INSTALLATION.

1. Lire ces instructions. Toutes les consignes de sécurité et d'utilisation doivent être lues avant d'utiliser le produit.
2. Conserver ces instructions. Les consignes de sécurité et d'utilisation doivent être conservées pour référence future.
3. Respecter tous les avertissements. Tous les avertissements sur le produit et dans les consignes d'utilisation doivent être respectés.
4. Suivre toutes les instructions. Tous les avertissements sur le produit et dans les consignes d'utilisation doivent être suivis.
5. Ne pas utiliser cet appareil près de l'eau - par exemple près d'une baignoire, d'un lavabo, dans un sous-sol humide, ou près d'une piscine ou similaire.
6. Veuillez voir les recommandations sous "Nettoyage et Désinfection" à la Page précédente.
7. Ne pas obstruer les ouvertures de ventilation. Installer conformément aux instructions du fabricant. Les ouvertures ne doivent jamais être obstruées en plaçant le produit sur un lit, un canapé, un tapis ou toute autre surface similaire.
8. NE PAS installer près de sources de chaleur telles que radiateurs, registres de chaleur, poêles ou tout autre appareil (y compris les amplificateurs) qui produit de la chaleur.
9. NE PAS neutraliser le dispositif de sécurité de la fiche polarisée ou de terre. Ce produit est équipé d'une prise de terre à trois fils, une fiche ayant une troisième broche (mise à la terre). Cette fiche ne peut s'insérer que dans une prise de courant avec mise à la terre. Il s'agit d'une caractéristique de sécurité. Si vous êtes incapable d'insérer la fiche dans la prise, contacter votre électricien pour remplacer votre prise obsolète.
10. Protéger le cordon d'alimentation pour qu'il ne soit pas piétiné ni pincé, en particulier au niveau des fiches, des prises de courant et au point de sortie de l'appareil.
11. Accessoires - Utiliser uniquement les attaches/accessoires recommandés par le fabricant.
12. Utiliser uniquement avec un chariot, stand, trépied, support ou table recommandé par le fabricant ou vendu avec l'appareil.
13. Débrancher cet appareil en cas d'orages ou lorsqu'il reste inutilisé pendant de longues périodes.
14. Confier toute réparation à un personnel de service qualifié. Des réparations sont nécessaires si l'appareil est endommagé d'une façon quelconque, par exemple : cordon ou prise d'alimentation endommagé, liquide renversé ou des objets sont tombés dans l'appareil, l'appareil a été exposé à la pluie ou à l'humidité, ne fonctionne pas normalement ou s'il est tombé.
15. Sources d'alimentation - Ce produit doit être utilisé uniquement à partir du type de source d'alimentation indiqué sur l'étiquette. Si vous n'êtes pas sûr sur le type d'alimentation de votre domicile, consultez le détaillant de votre produit ou la compagnie d'électricité locale. Pour les produits proposés de fonctionner par piles, ou autres sources d'alimentation, reportez-vous aux consignes d'utilisation.
16. Environnement d'oxygène - Ne pas utiliser sous une tente à oxygène ou chambre à oxygène. Une telle utilisation peut causer un risque d'incendie.
17. Foudre - Pour une protection supplémentaire pour ce produit lors d'un orage, ou lorsqu'il est laissé sans surveillance et inutilisé pendant de longues périodes de temps, le débrancher de la prise murale et déconnecter l'antenne ou le système de câble. Cela permettra d'éviter tout dommage à l'appareil causé par la foudre et par les surtensions des lignes électriques.
18. Entretien - N'essayez pas de réparer vous-même ce produit, car l'ouverture ou le retrait des capots peut vous exposer à des tensions dangereuses ou à d'autres dangers. Confiez toute réparation à un personnel qualifié.

	MODEL NUMBER: GO-GO™ Gamer Cart	Document Number: PD196-410R3
	Assembly Instructions	Page 5 of 9

This document provides the information for the assembly instructions for the GO-GO Gamer Cart. This instruction sheet includes

- a. the standard configuration of the 24" PDi hospital TV flush mounted to the GO-GO Gamer Cart with a wire basket to store the game controllers;
- b. a 32" PDi hospital TV flush mounted to the GO-GO Gamer Cart with a wire basket to store the game controllers;
- c. the optional short arm installation on a 24" PDi hospital TV; and
- d. the optional storage bin installation.

Tool List

Safety glasses/goggles
 Level
 Cut Resistant Gloves
 Phillips Screwdriver
 Adjustable Wrench

Included in the box:

The following items are included in the packaging of the GO-GO Gamer Cart:

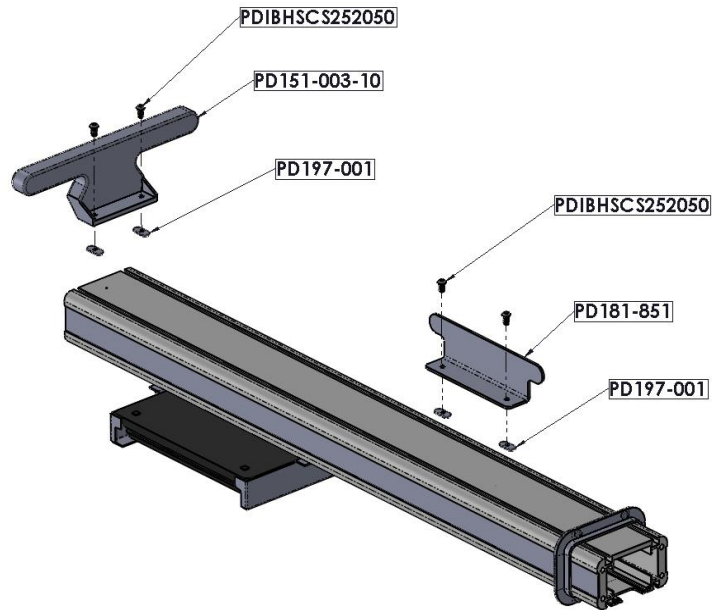
- Base for Gaming Cart
- Column for Gaming Cart with Sony PlayStation®4 gaming console installed.
- Cord Wrap
- Handle
- TV Mounting Bracket
- Hospital TV (Standard 24" PDi TV or alternate PDi 32" TV)
- PDi TV Programming Remote
- Wire Basket and/or Optional Controller Bin
- Hardware Kit:
 - ✓ 1 each; PD219-142 - 5mm Hex Wrench
 - ✓ 1 each; PD219-143 - 6mm Hex Wrench
 - ✓ 4 each; PD197-001 - Nut Plate, 0.250-20UNC
 - ✓ 4 each; PDIBHSCS252050 - Screw, 0.250-20UNC x 0.500", Hex Socket Button Head, Zinc Plated
 - ✓ 4 each; PD151-003-13 - Self-Threading Screw
 - ✓ 4 each; PD151-003-12 - Screw, M8 x 30mm long, Hex Socket Head
 - ✓ 4 each; PDIBHSCSM8X20 - Screw, M8 x 20mm long, Hex Socket Button Pan Head, Black Oxide
 - ✓ 4 each; PDIBHSCS103238Z - Screw, #10-32UNF x 0.375", Hex Socket Button Head, Zinc Plated
 - ✓ 4 each; PD1ETLWM8 - Lock Washer, M8, External Tooth
 - ✓ 4 each; PD1PPHMSM4X710, Screw, M4 x 10mm Lg, Phillips Pan Head, Zinc Plated.

Note: additional hardware may be included for the optional items or features.



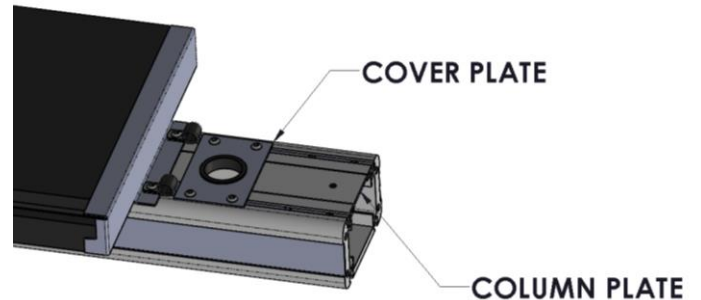
Cart Assembly

1. Set the Column sub-assembly on the workbench as shown.
2. Pre-assemble the Cord Wrap, **PD181-851**, with the screws (2), **PDIBHSCS252050**, and Nut Plates (2), **PD197-001**. Leave nuts loose.
3. Slide the nuts into the slot on the column from the top, with the Cord Wrap oriented as shown, until the bottom edge is approximately 7 inches from the bottom edge of the column. Tighten the screws with 5/32" hex wrench. Tighten screws to 30in-lbs.
4. If the unit included an optional Wire Basket, **PD151-003-15**, or Bin, **PD180-038**, pre-assemble according to the directions for these items, and assemble to the column before installing the Handle.
5. Pre-assemble the Handle, **PD151-003-10**, with the screws (2), **PDIBHSCS252050**, and Nut Plates (2), **PD197-001**. Leave nuts loose.
6. Slide the nuts into the slot on the column from the top, with the Cord Wrap oriented as shown, until the bottom edge is approximately 7 inches from the bottom edge of the column. Tighten the screws with 5/32" hex. Tighten screws to 30in-lbs.

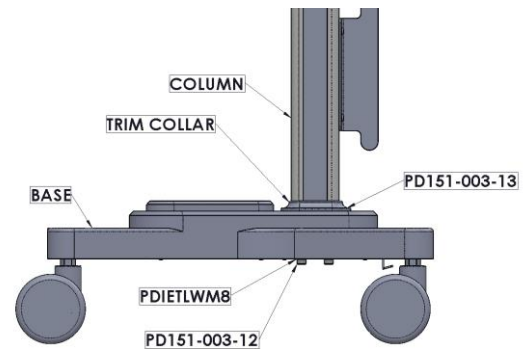


Mount the Column

1. Set the base on the workbench on its wheels and set the brakes to keep the base from rolling.
2. Turn over the column so it is resting on the handle and the bottom end is resting on the base.
3. Near the top of the column, remove the Cover Plate as shown by removing the four (4) #10-32UNF x 0.375 Button Head Socket Cap Screws with a 1/8" Hex Wrench. Slide the cover plate up the cables and set to the side.
4. Carefully, slide the Column Plate up the column, allowing the cables to thread into the column body. Take care to minimize contact with the edges of the opening in the Column Plate to prevent damage to the insulation on the cables.
5. Near the base of the column, connect the coax cable in the base to the coax cable in the column.
6. Connect the Molex connectors for the power cord.
7. Tip the Base up and insert the bottom of Column into the pocket in the Base. Be sure that the Column rests firmly at the bottom of the pocket and is not pinching the cables (The Column Plate should still be moveable to ensure there is no interference.).
8. Attach the Column to the Base with the (4) M8 x 30mm long, Hex Socket Head, **PD151-003-12**, and (4) M8, External Tooth Lock washers, **PD1ETLWM8**. Tighten to 100 in-lbs torque.
9. Re-position the Column Plate so the top is even with the top of the Column. GENTLY, pull the cables through the opening in the Column Plate that was removed in step 3, and re-thread through the Grommet in the Cover Plate.



10. Re-install the Cover Plate with the four (4) #10-32UNF x 0.375 Button Head Socket Cap Screws, using a 1/8" Hex Wrench. Tighten the screws to 6 in-lbs. torque.
11. The cart can now be positioned upright on its casters.
12. Slide the Trim Collar down the column so it rests flush against the Base.
13. Attach the Trim Collar to the Base with the (4) Self-Threading screws, **PD151-003-13**, as shown here.

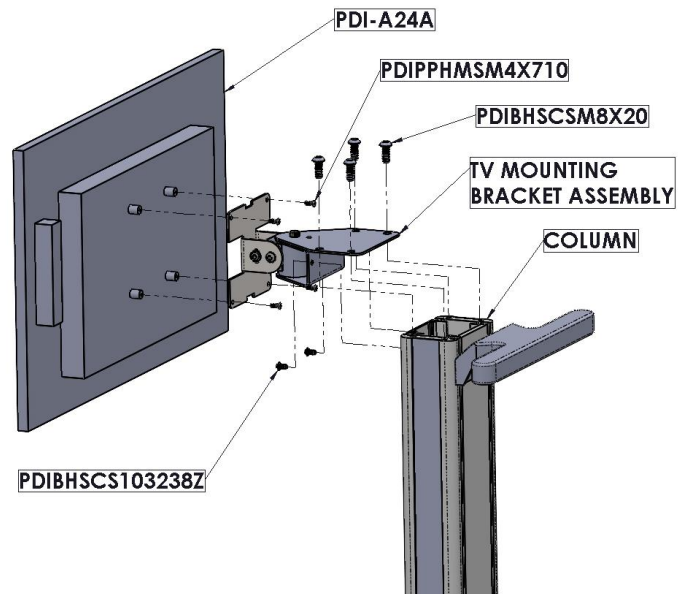


Mount the TV to the Cart

1. Unpack TV and place on workbench face down. If necessary, place protective mat on workbench to ensure the viewing surface is not damaged.
2. Attach the mounting bracket for the TV as shown, with the (4) M4 x 10mm screws, **PDIPPHMSM4X710**.

Note: It is recommended that two people work together to mount the TV to the column of the cart. One person to hold the TV in position, so the second person can insert the screws as outlined below and as shown in the photo.

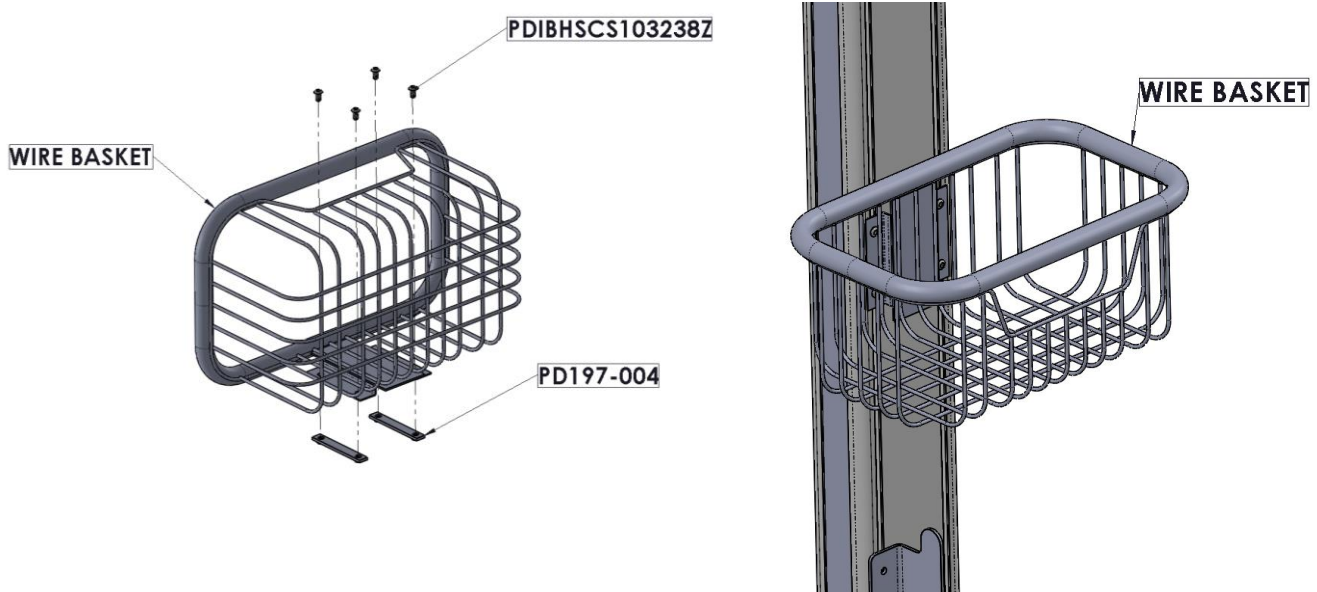
3. While holding the TV in position, screw in the four (4) M8 x 20 Button Head Socket Cap Screws, **PDIBHSCSM8X20**. The maximum tightening torque is 80in-lbs. Use the 5mm hex wrench to tighten until setting the torque.
4. Insert two (2) #10-32UNF x 0.375 Button Head Socket Cap Screws, **PDIBHSCS103238Z**. The maximum tightening torque is 6in-lbs.



Mount the Wire Basket

1. Pre-assemble the Wire Basket, with the screws (4), **PDIBHSCS103238Z**, and Nut Plates (2), **PD197-004**. Leave nuts loose.
2. After installing the Cord Wrap, but BEFORE installing the handle and the TV, slide the Nut Plates into the slot on the column from the top, as shown behind the PS4. Using 1/8" Hex Wrench, tighten the screws in the Nut Plates once it is positioned as desired. Tighten screws to 25in-lbs.

NOTE: Installing the basket to the rear of the column allows the cart to be pushed up closer to a patient in bed.



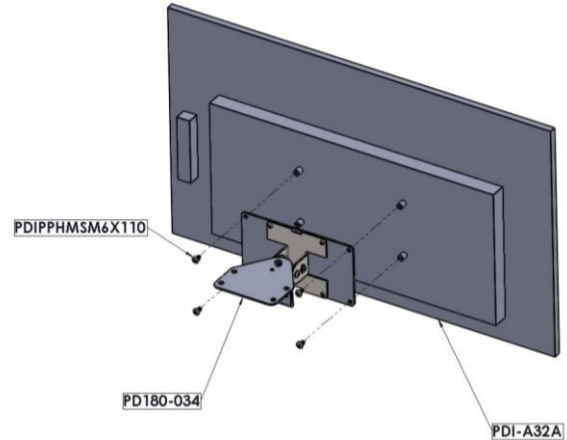
Connect PlayStation

1. Plug the power cable and one end of the HDMI cable into the gaming console on the left side.
2. Plug the two gaming controllers into the USB ports on the right side of the gaming console.
3. Plug in the other end of the HDMI cable into the HDMI1 port on the TV.
4. Plug in the power cable for the TV.

Optional Assemblies

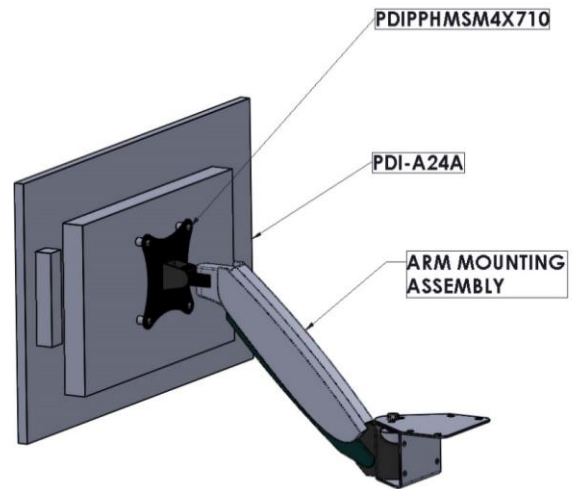
Model PDI-GO32

1. Mount Flush Mounted A32 TV.
2. Follow instructions above to **Mount TV Bracket to the Cart**.



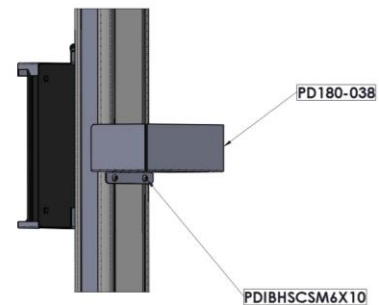
Model PDI-GO24-A

1. Mount for the Arm Mounted A24 TV.
2. Follow instructions above to **Mount TV Bracket to the Cart**.



Model PDI-GOXX-B

1. Mount the optional Controller Bin in lieu of the wire basket.



Warranty

PDi Communication Systems Inc., ("PDi") standard warranty information is found at pdiam.com. For information regarding authorized servicing and all other information pertaining to this warranty, please contact PDI COMMUNICATION SYSTEMS, INC. at 40 Greenwood Ln, Springboro, Ohio 45066 or phone 800-628-9870 and ask for the PDi ProServices team.