



	MODEL NUMBER: PDI-400, PDI-500 Series Arms	Document Number: PD196-258R4
	Installation Instructions	Page 1 of 3


	This symbol indicates that dangerous voltage constituting a risk of electric shock is present within this unit.
	This symbol indicates that there are important operating and maintenance instructions in the literature accompanying this unit.


	CAUTION RISK OF ELECTRIC SHOCK, DO NOT OPEN!	
CAUTION: TO REDUCE THE RISK OF ELECTRIC SHOCK, DO NOT REMOVE COVER. NO USER SERVICEABLE PARTS INSIDE. REFER SERVICING TO QUALIFIED SERVICE PERSONNEL		

THIS DOCUMENT IS ONLY VALID FOR THE 400 SERIES. FOR THE 500 SERIES SEE DOCUMENT PD196-422.

THIS INSTALLATION SHOULD BE MADE BY A QUALIFIED SERVICE PERSON AND SHOULD CONFORM TO ALL LOCAL CODES. READ AND FOLLOW THE SAFETY INSTRUCTIONS BEFORE ATTEMPTING THIS INSTALLATION.

Note to CATV installer: This reminder is provided to call the CATV system installer's attention to Article 820-40 of the NEC that provides guidelines for proper grounding and in particular, specifies that the cable ground shall be connected to the grounding system of the building.

 **WARNING: OXYGEN ENVIRONMENT DO NOT use in an oxygen tent or oxygen chamber. Such use may cause a fire hazard.**

 **WARNING: To avoid the hazards of fire or electric shock, DO NOT expose this TV to rain or moisture.**



DANGER: ARM RECOIL HAZARD: The safety brake pin must remain in the SAFETY BRAKE PIN HOLE whenever the television set is removed from the arm or when the arm is removed from the wall bracket to prevent the arm from springing open.

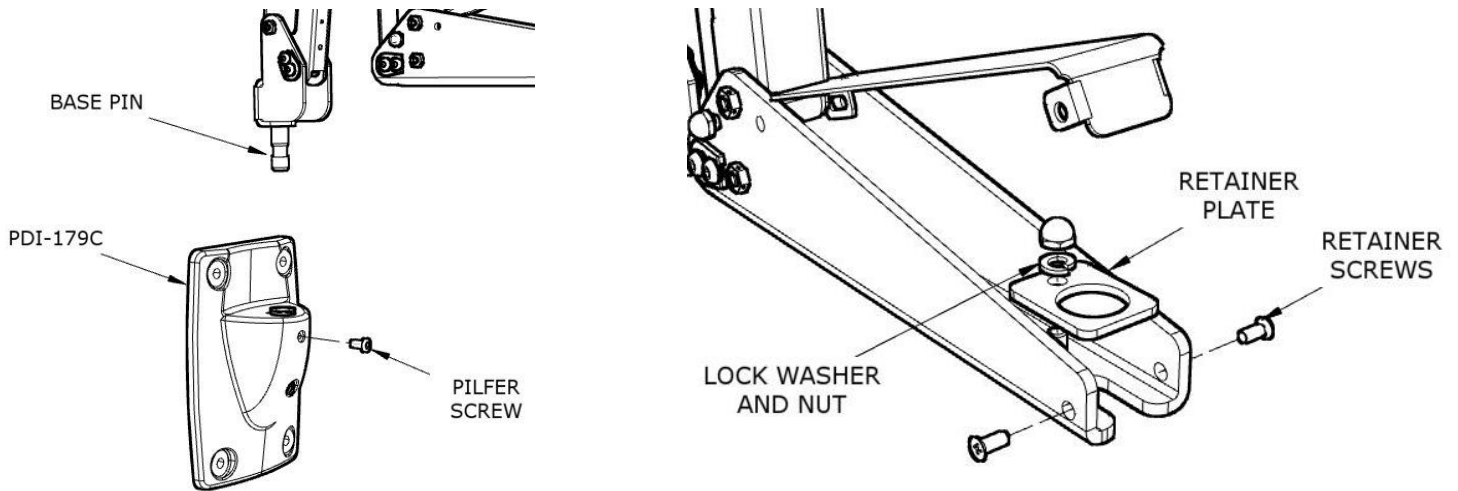


This arm contains internal springs under tension. AN ARM RECOIL ACCIDENT HAZARD IS POSSIBLE. FOLLOW ALL SAFETY INSTRUCTIONS AT ALL TIMES

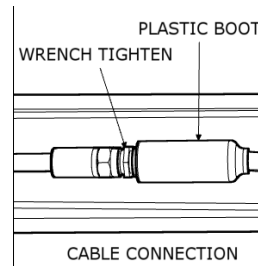
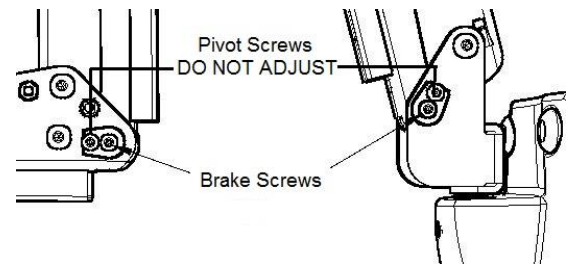
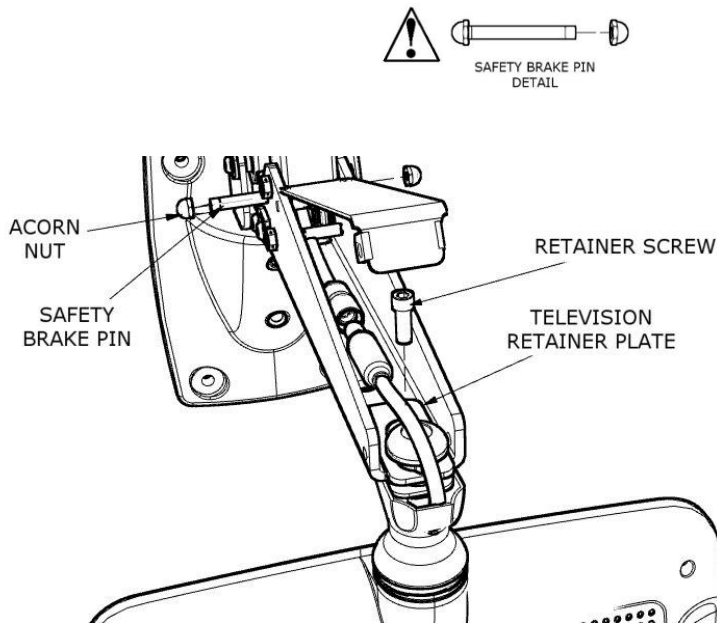
INSTALL ARM & TV (Arms equipped **with and without** a PDI-194 retainer plate)

The 400 Series arm is designed for a maximum weight of 22#. The 500 Series arm is designed for a maximum weight of 19#. Use of the arm with any other size TV is NOT recommended.

- Place the arm's base pin into the wall bracket. The base pin should seat snug in the wall bracket.
- Tighten the wall bracket pilfer screw if so equipped.
- Remove the two retainer screws or the twist tie, and open the nose cover.
- For arms equipped with a PDI-194 retainer plate, remove lock washer and nut and remove the retainer plate.
Note: A small number of TV models will require use of this plate, nut, and bolt. Most TV's have a built-in retainer plate as seen on page 2.
- Insert the TV swivel completely in the slot in the arm's nose. (TV shown has built in retainer plate). Align the swivel retainer plate's mounting hole over the arm's mounting hole. Thread the retaining screw through the retainer plate and into the arm's nose. Tighten.
- The cable from the arm should be joined with the television cable, wrench tightened, and the connection covered by sliding the plastic boot sections into mating position.
- For PDI-500 series arms without a retainer plate**, remove the Safety Brake Pin from the Safety Brake Pin Hole, reattach the acorn nut to the pin, and store the assembly inside the nose of the arm by attaching it to the coax cable using the attached plastic clip. Close the metal nose cover onto the nose. Reinstall the two Nose Cover Retainer Screws. (See page 1).
For PDI-500 series arms with a retainer plate (508C), install the safety pin in the nose cover front and place acorn nut on open end of the pin.



8. **For PDI-400 series arms without a retainer plate**, remove the Safety Brake Pin from the Safety Brake Pin Hole and install thru rear mounting holes of the nose cover. Securely tighten. Close the metal nose cover onto the nose. Reinstall the two Nose Cover Retainer Screws. (See page 1).
For PDI-400 series arms with a retainer plate or external wire shields, install the safety pin in the nose cover front and place acorn nut on open end of the pin.
DO NOT store the pin inside the nose of PDI-400 series arm.
9. Connect the coaxial cable at the base of the arm to the wall bracket "F" fitting. Wrench tighten.
10. Cycle the arm once or twice to check for free movement – if stiff, a slight loosening of the brake screws will free the movement. **DO NOT LOOSEN MORE THAN 1/16 TURN.**
11. Power the TV and verify correct operation. Refer to the instructions packed with the TV for programming and operation details.



Note: Additional cables may be present in the arm and TV depending on the ordered options of the system. Make the appropriate cable connections by matching the cable connector in the nose to the corresponding connector from the TV.

*Plastic covers may also be installed on the arm. Please refer to the instructions packed with the covers for installation procedure.

	MODEL NUMBER: PDI-400, PDI-500 Series Arms	Document Number: PD196-258R4
	Installation Instructions	Page 3 of 3

ARM MAINTENANCE

Very little maintenance should be required for your PDi Arm to give years of trouble free service if the following lubrication and inspection procedures are followed. Unplug this unit from the wall before cleaning. Do not use liquid cleaners or aerosol cleaners. Use a damp cloth for cleaning.

1. **INSPECTION** – Occasionally check the base pin for any evidence of bending or distortion due to a patient using the ARM for assistance in getting in or out of bed or any other misuses. If the ARM is not mounted with the base pin absolutely vertical, it will have a tendency to drift and will not properly counter balance the television. Be certain that the wall the arm is mounted to is vertical.
2. **SPRING ADJUSTMENT** – If the ARM shows any tendency to sag under the weight of the TV, it may be necessary to adjust the spring tension of the front or back sections. See adjustment procedure in Technical Bulletin PDITCH-001 (500 series) or PDITCH-004 (400 series).
3. **LUBRICATION** – At least once a year, a drop of light machine oil should be put on each pivot point in the nose, elbow, and base as shown. **DO NOT PUT OIL ON THE FRICTION DAMPER PADS!**
4. **REPLACEMENT OF COAX CABLE** – See replacement procedure in Technical Bulletin PDITCH-002 (500 series) or PDITCH-003 (400 series).
5. **TORQUE ADJUSTMENT OF PIVOT SCREWS** – All screws in the ARM are tightened securely, and loctited, at the factory and do not require specific checks with a torque wrench. **IF THE THREADS ARE STRIPPED IN THE NOSE, ELBOW, OR BASE, THAT PART NEEDS REPLACEMENT – DISCONTINUE USE IMMEDIATELY.**

