	MODEL NUMBER: PD216-008 Cover Kit	Document Number: PD196-245R3
	Installation Instructions for 1000 Series Arms with PDI-635 Nose	Page 1 of 2

Scope:

This document outlines the installation of the arm covers for the 1000 Series arms using the standard nose, PDI-635.

Safety steps:

- 1) Always wear safety glasses/goggles to prevent injury from debris.
- 2) Follow the installation/removal instructions for your existing products.

Tool List:

- 1) P1 or P2, Phillips screwdriver
- 2) Pliers
- 3) Safety glasses/goggles

NOTE:

- 1) Before removing the Safety Brake Pin, attach arm to wall bracket and mount TV to arm before beginning cover installation.
- 2) Only AFTER the TV is mounted to the arm, the Safety Brake Pin must be removed from nose to install the new Nose Arm Cover.
- 3) **DO NOT DISCARD SAFETY BRAKE PIN. Store the safety pin under one of the extra clamps in the nose of the arm for future service of the arm and/or TV.**

PARTS LIST for KIT:

- 1) (3ea) PD216-001 End Caps
- 2) (2ea) PD216-002 Base Covers
- 3) (2ea) PD216-003 Elbow Covers
- 4) (1ea) PD216-009L Left Nose Cover
- 5) (1ea) PD216-009R Right Nose Cover
- 6) (8ea) PD209-004 Painted Cover Screws

STEP 1:

Snap the (3) End Caps, PD216-001, into the ends of the arm sections as pictured. They should be 2 in the front section and 1 in the back section.

STEP 2.

Attach the Base Cover halves, PD216-002, using (4) screws, PD209-004.

STEP 3.

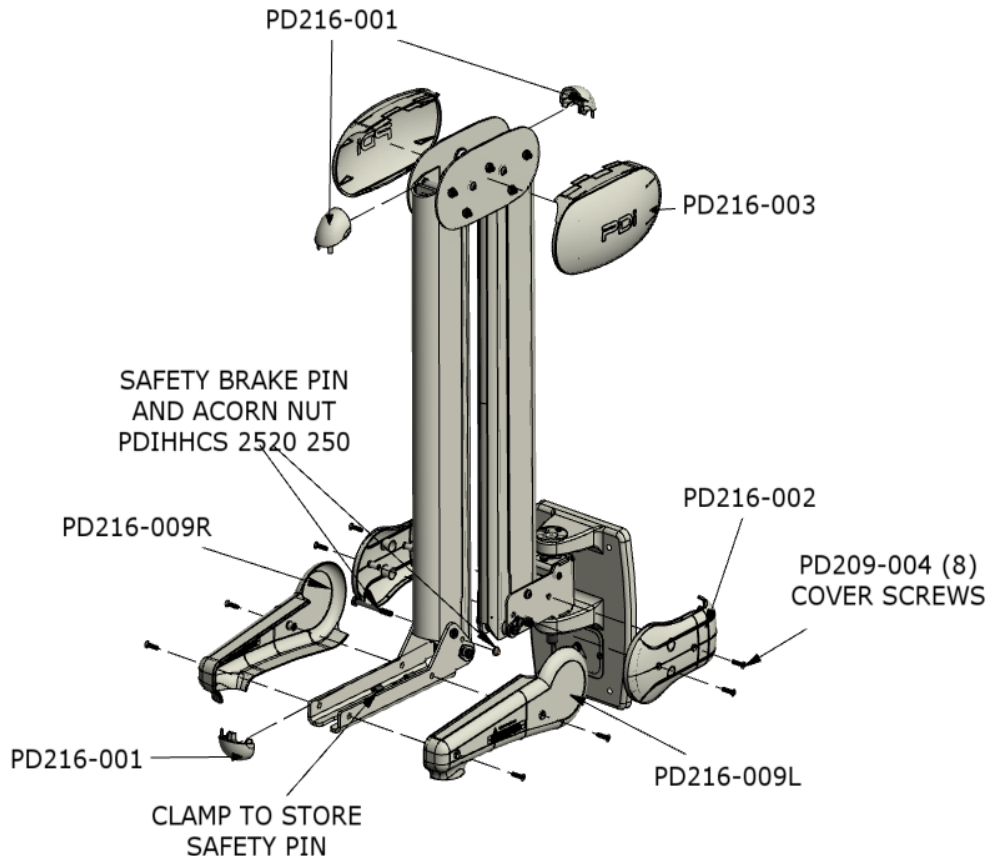
Securely snap the Elbow Covers, PD216-003, around the elbow joint. Hook over the top edges of the elbow plates then snap the lower hooks along the bottom edges. When the halves are properly installed there should only be a thin seam visible where the halves meet.

STEP 4.

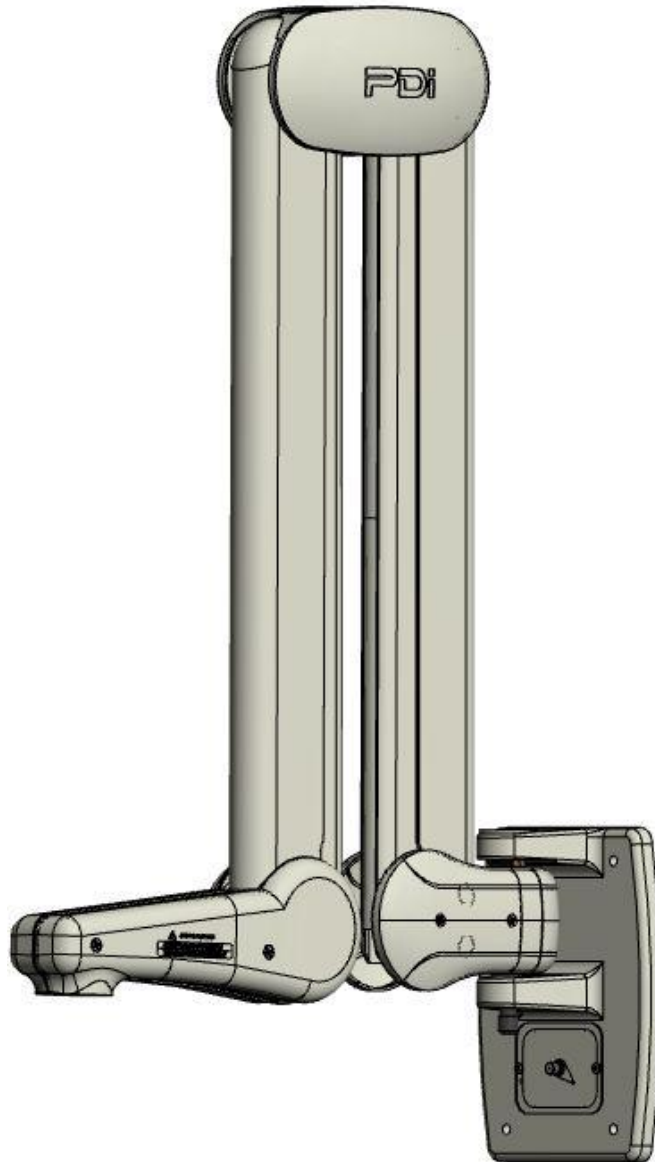
Attach the Nose covers, PD216-004L & PD216-004R, to the nose, using (4) screws, PD209-004, as pictured. Tighten the (4) PD209-004 screws to secure the nose covers. When the halves are properly installed there should only be a thin seam visible where the halves meet.

STEP 5:

Rotate the TV and move the arm thru its range of travel to check for any interference issues.



VIEW OF COVER KIT INSTALLED



TV is not shown for clarity.