	MODEL NUMBER: <b>PD216-005 Cover Kit</b>	Document Number: PD196-199R5
	Installation Instructions for 1000 Series Arms with PDI-630 Nose	Page 1 of 2

**Scope:**

This document outlines the installation of the arm covers for the 1000 Series arms using the reverse mounting nose, PDI-630.

**Safety steps:**

- 1) Always wear safety glasses/goggles to prevent injury from debris.
- 2) Follow the installation/removal instructions for your existing products.

**Tool List:**

- 1) P1 or P2, Phillips screwdriver
- 2) Pliers
- 3) Safety glasses/goggles

**NOTE:**

- 1) Before removing the Safety Brake Pin, attach arm to wall bracket and mount TV to arm before beginning cover installation.
- 2) Only AFTER the TV is mounted to the arm, the Safety Brake Pin must be removed from nose to install the new Nose Arm Cover.
- 3) **DO NOT DISCARD SAFETY BRAKE PIN. Store the safety pin under one of the extra clamps in the nose of the arm for future service of the arm and/or TV.**

**PARTS LIST for KIT:**

- 1) (3ea) PD216-001 End Caps
- 2) (2ea) PD216-002 Base Covers
- 3) (2ea) PD216-003 Elbow Covers
- 4) (1ea) PD216-004L Left Nose Cover
- 5) (1ea) PD216-004R Right Nose Cover
- 6) (1ea) PDIPPTL61950 Plastite Screw
- 7) (8ea) PD209-004 Painted Cover Screws

**STEP 1.**

Snap the (3) End Caps, PD216-001, into the ends of the arm sections as pictured. They should be 2 in the front section and 1 in the back section.

**STEP 2.**

Attach the Base Cover halves, PD216-002, using (4) PD209-004 screws.

**STEP 3.**

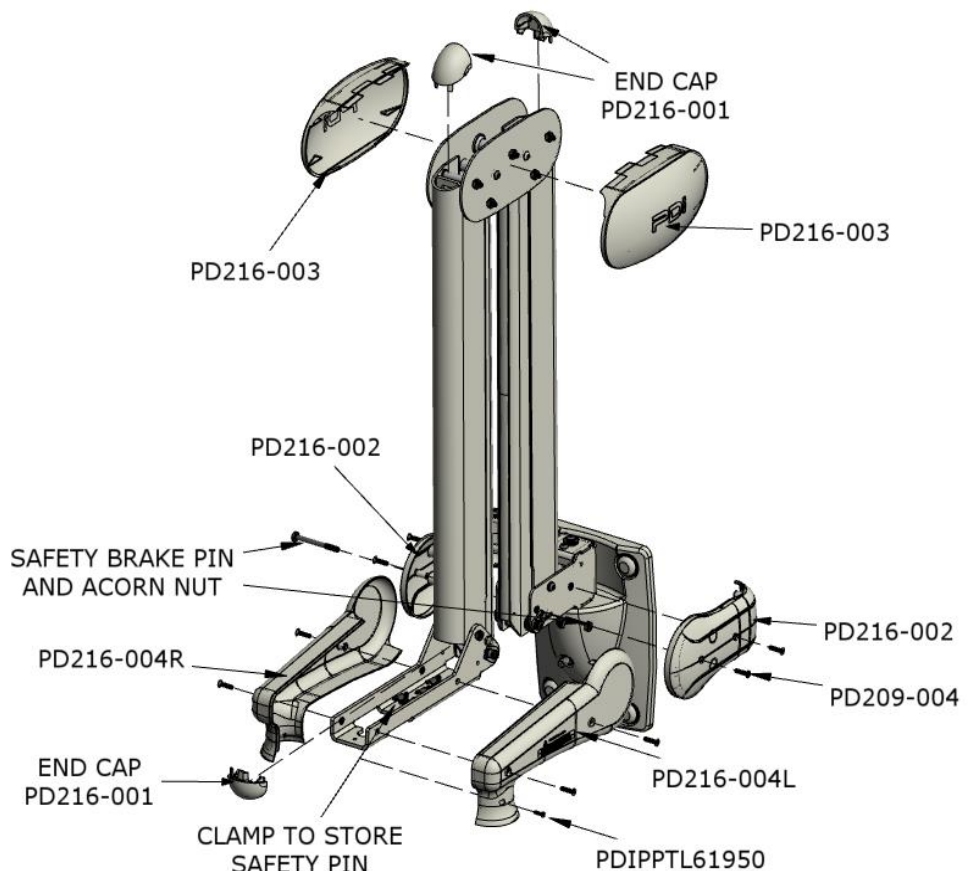
Securely snap the Elbow Covers, PD216-003, around the elbow joint. Hook over the top edges of the elbow plates then snap the lower hooks along the bottom edges. When the halves are properly installed there should only be a thin seam visible where the halves meet.

**STEP 4.**

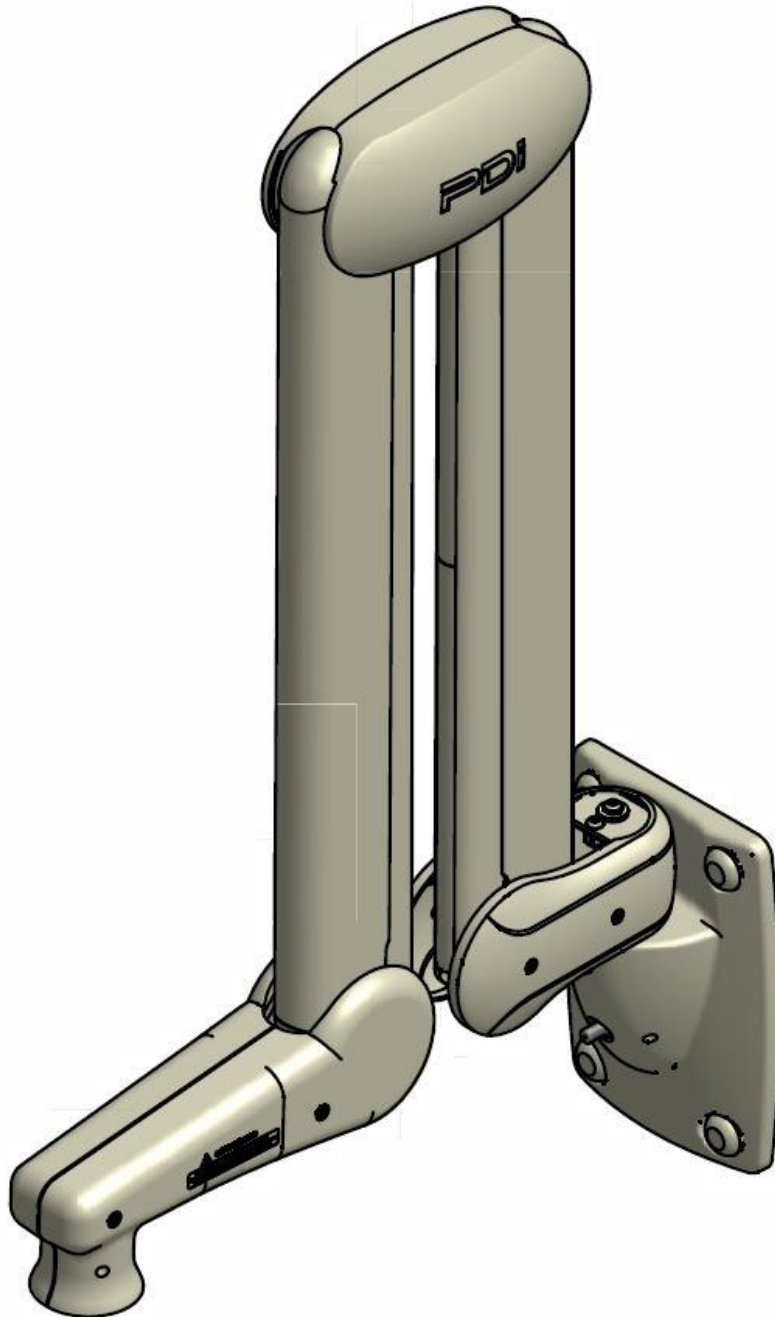
Attach the Nose covers, PD216-004L & PD216-004R, to the nose, using (4) screws, PD209-004, as pictured. Tighten the (4) PD209-004 screws to secure the nose covers. Install the, Plastite screw, PDIPPTL61950, into the nose covers to secure the "bell" around the top of the LCD TV housing. When the halves are properly installed there should only be a thin seam visible where the halves meet.

**STEP 5.**

Rotate the TV and move the arm thru its range of travel to check for any interference issues.



## VIEW OF COVER KIT INSTALLED



TV is not shown for clarity.