

Installation of PDI internal or external reinforcing plate.

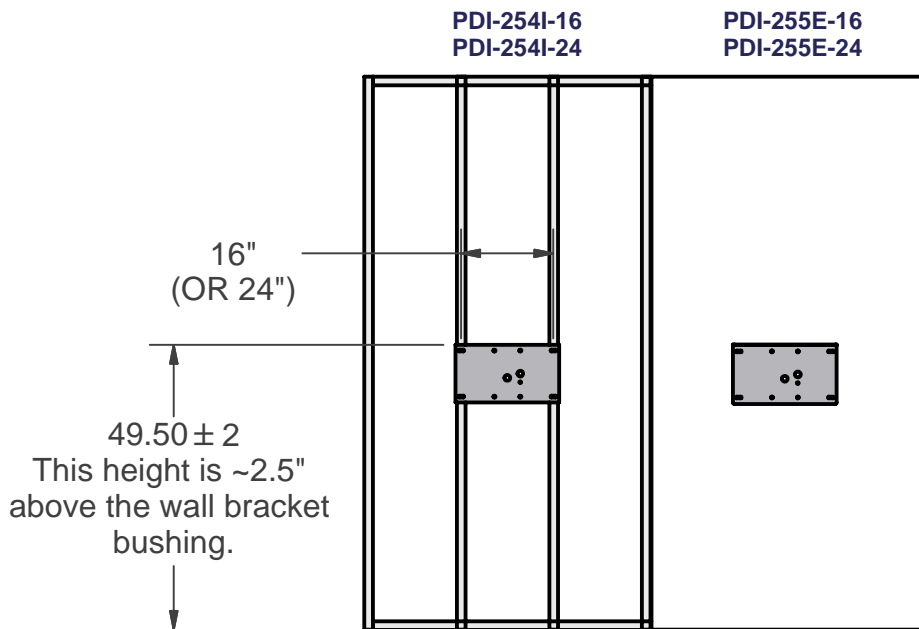
The 254I plates are for internal mounting, behind the drywall. They are uncoated.

The 255E plates are external for mounting on top of the drywall. They have a powdercoated finish.

The "-16" and "-24" suffixes refer to the wall stud spacing the plates are designed to be used with.

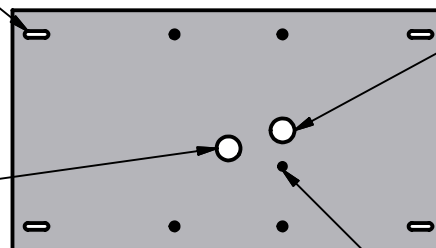
The plates are marked with an arrow and "TOP" to indicate proper mounting orientation.

The plates must be mounted in accordance with local building codes.



SLOTTED MOUNTING HOLES FOR 1/4" FASTENERS ALLOW FOR VARIATIONS IN STUD SPACING.

USE THIS 1" HOLE FOR COAX WHEN USING STANDARD PDI WALL BRACKETS.



ONLY USE THIS 1" HOLE FOR COAX/POWER WHEN USING A PDI-771B WALL BRACKET WITH INDIVIDUAL POWER SUPPLY.

GROUND INSERT
8-32 THREAD