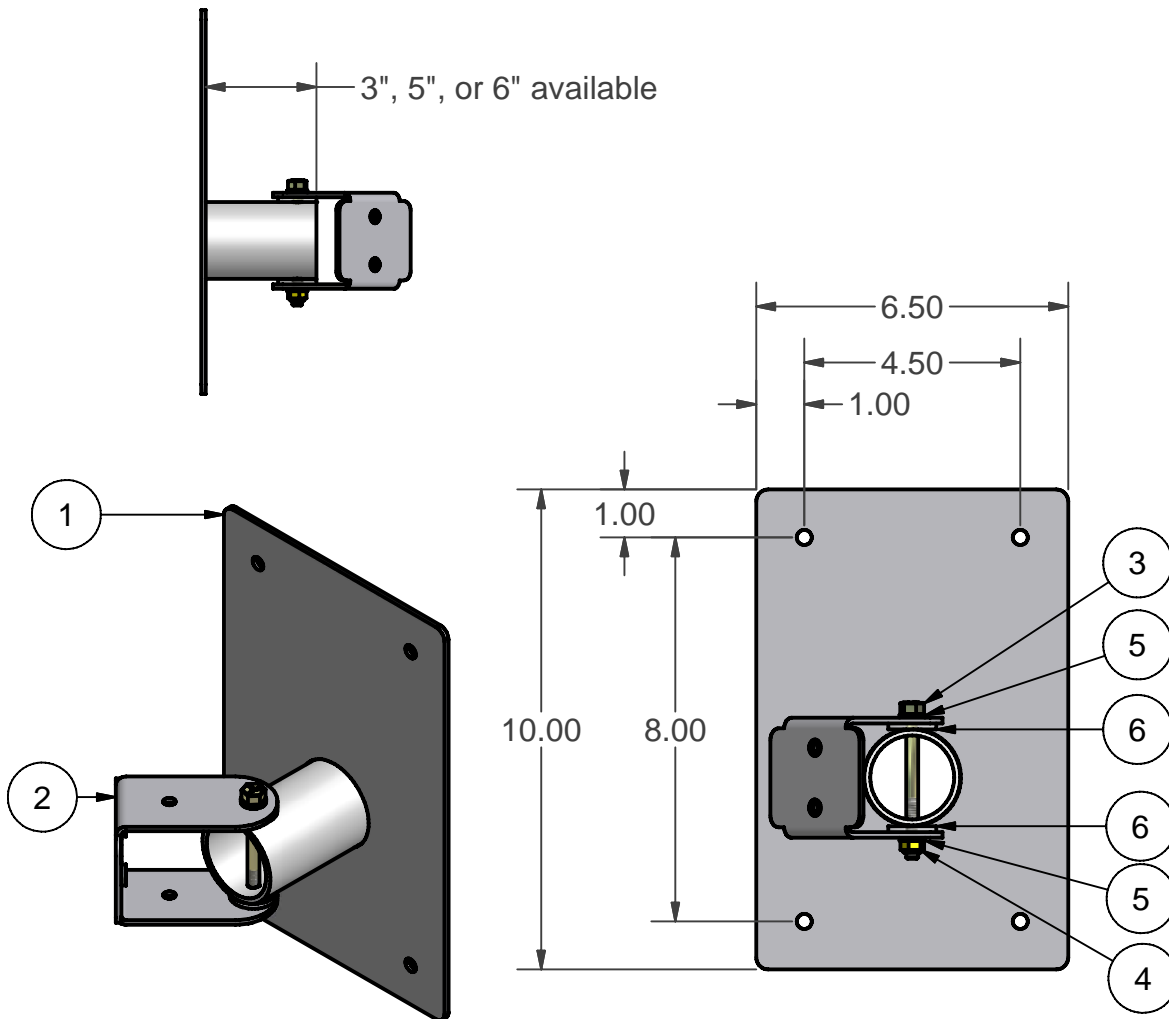


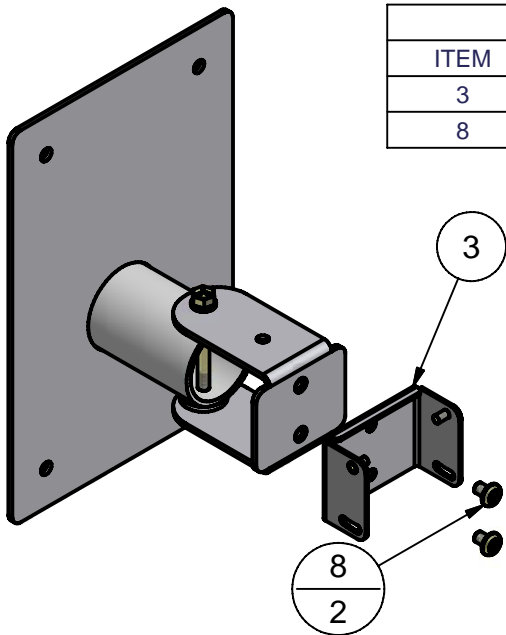
**ASSEMBLY INSTRUCTIONS FOR LCD PAN & TILT MOUNT:  
 STANDARD, 5" AND 6" MODELS**

- 1) Attach clevis (2) to wall plate (1) with one 1/4-20 x 3 bolt (3), two 1/4" flat washers (5), two PDI1172 plastic friction washers (6), and one 1/4-20 nylon insert nut (4), as shown.
- 2) Tighten bolt/nut until a small amount of friction is felt.

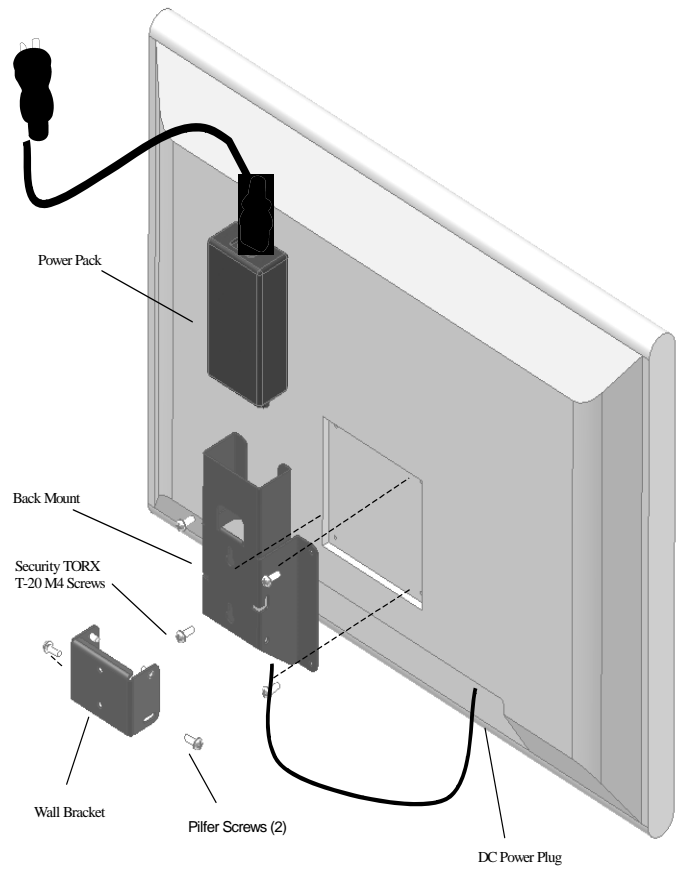


Parts List			
ITEM	QTY	PART NUMBER	DESCRIPTION
1	1	PD181-604 / -5" / -6" (MODELS)	WALL-PLATE FOR LCD PAN & TILT MOUNT STANDARD, -5", -6" MODELS
2	1	PD181-605_revA	CLEVIS FOR LCD PAN & TILT MOUNT
3	1	PDIHHCS 2520 300	1/4-20 X 3" BOLT
4	1	2520 NYLOC	1/4-20 NYLOC NUT
5	2	.25 flat washer	1/4" FLAT WASHER
6	2	PDI1172	FRICITION WASHER

- 1) Attach LCD wall mount (3) to clevis with two 1/4-20 x 3/8 button socket head cap screws (8), as shown.
- 2) Tighten screws securely.
- 3) Attach assembly to desired location on wall (6" minimum from ceiling).
- 4) Follow assembly instructions supplied with monitor to attach to mount. Substitute (4) M4-0.7x6mm T-20 TORX security screws for the Phillips screws supplied with monitor.



Parts List			
ITEM	QTY	PART NUMBER	DESCRIPTION
3	1	PD181-597 ASSY	LCD WALL BRACKET MOUNT
8	2	PDIBSHMS 2520 38	1/4-20 x 3/8 BUTTON HEAD



**Installation Exploded**