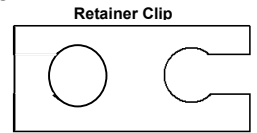
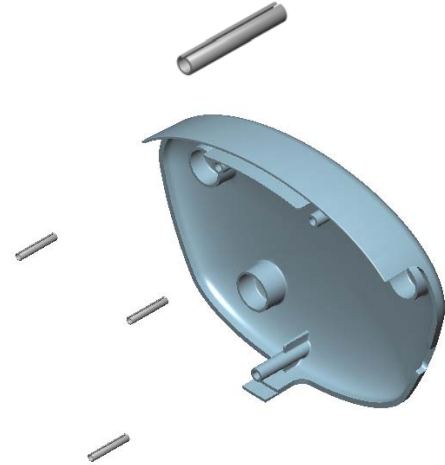


- NOTE:
- a) Attach arm to wall bracket and mount TV to arm before beginning cover installation.
  - b) Arm Safety Brake Pin must be removed from arm nose to install the new Nose Arm Cover.
  - c) Do not discard safety brake pin. Locate the plastic Retainer Clip attached to the Arm's safety brake pin. Attach the safety brake pin/clip to the coax cable inside the nose as shown in the TV installation instructions.
  - d) Secure nose cover per TV installation instructions.



1. Assemble supplied spring pins into one of the Arm Cover halves. Pins should be installed into one cover side only.

2. Securely hold Arm Cover and carefully, by hand, push the pin into one of the small holes located in the end of each mounting boss. The pin only needs to go in far enough to stay in place on its own. If using tools, don't press the pin more than halfway into the hole. Repeat until the pins are installed in all of the bosses in half of the Arm Cover pairs.



3. Place the Arm Cover half that has the installed pins on the arm in its proper position. Sandwich the other half of the arm cover around the arm section by aligning the exposed pin ends with the open holes in the second cover half. When the pins and holes are aligned, carefully squeeze the two halves together. When the halves are properly installed there should only be a thin seam visible where the halves meet.



4. Repeat until all three pairs of covers, Base, Elbow, and Nose are installed.

