

**Scope:**

To attach a CV3700 LCD TV to a PD181-707 mount.

**TOOL LIST:**

- 1) P1 or P2, phillips screw driver.
- 2) Safety glasses/goggles.
- 3) 3/8" socket wrench.

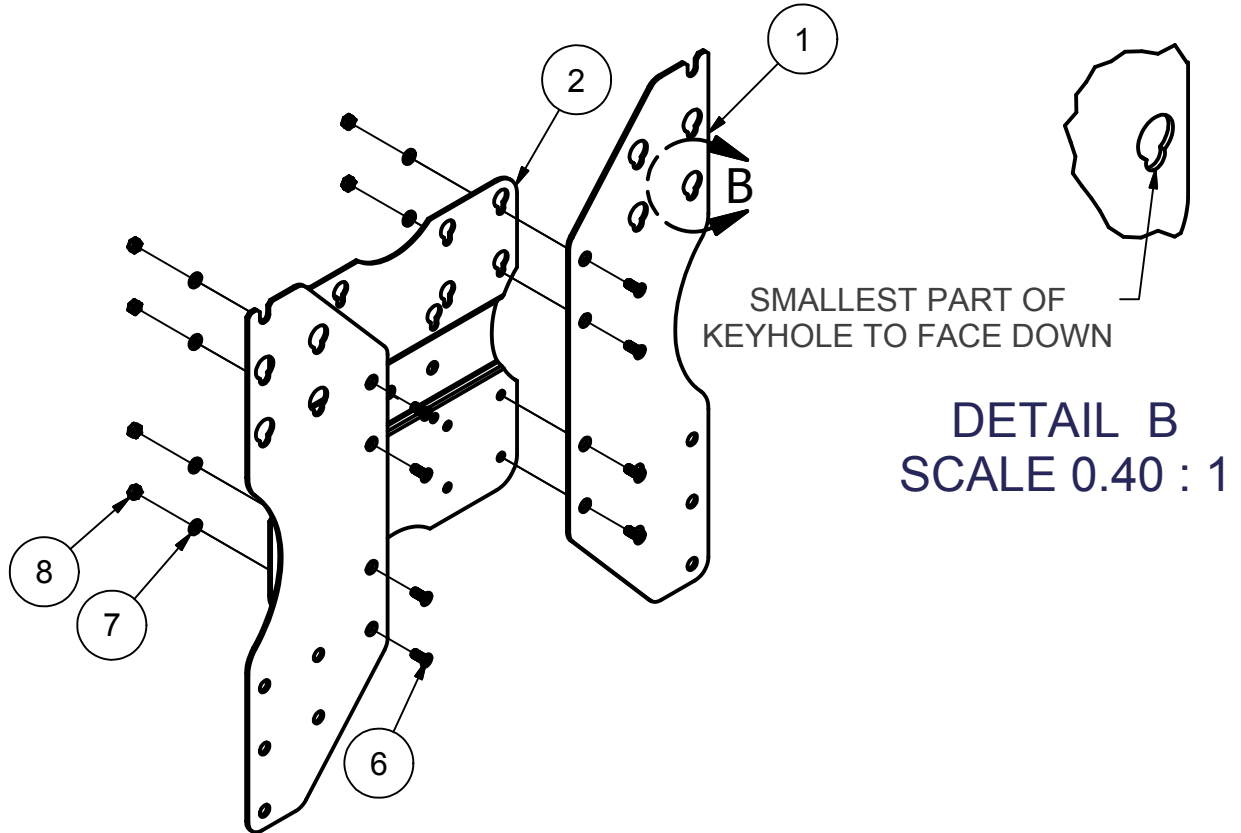
**Safety steps:**

- 1) Always wear safety glasses/goggles to prevent injury from debris.
- 2) Follow the installation/removal instructions for your existing products.

**PROCEDURE:**

**STEP 1:**

Attach PD181-729 brackets (#1) to PD181-707 plate (#2) using eight M5 x 12mm sunk screws (#6), eight M5 flat washers (#7), and eight M5 Hex nuts (#8).

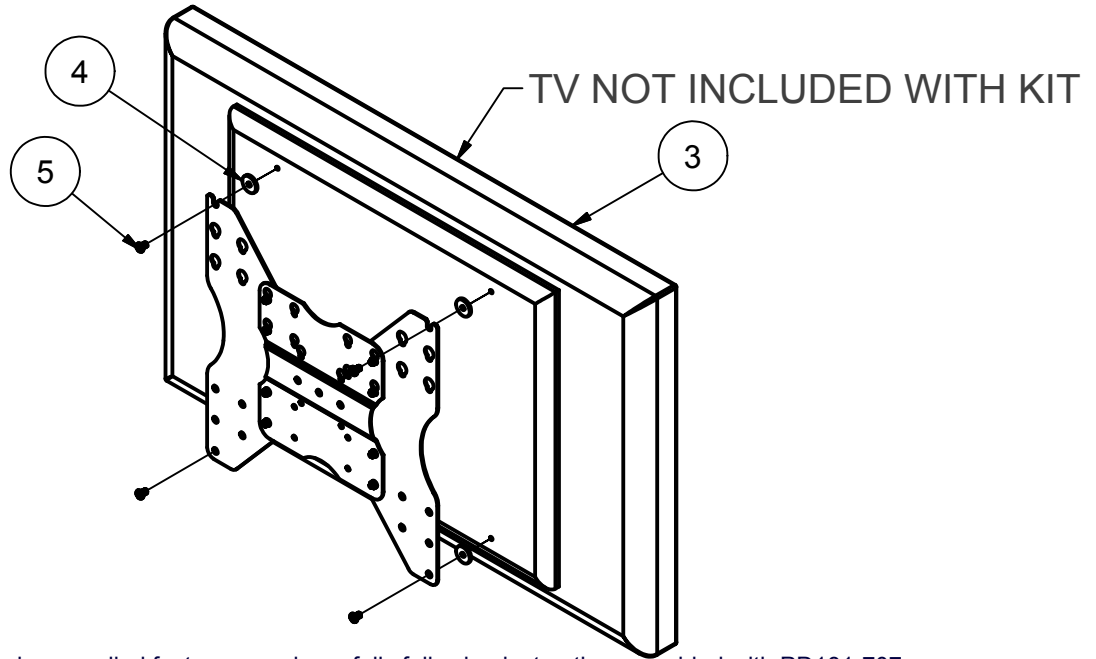


Parts List			
ITEM	QTY	PART NUMBER	DESCRIPTION
1	1	PD181-729	ADAPTER PLATE - 400mm X 400mm
2	1	PD181-707	WALL MOUNT FLAT PANEL TV
3	1	CV3700	NOT INCLUDED WITH MOUNT
4	4	PDI1177	STEEL FLAT WASHER
5	4	M6 X 10mm PPHMS	M6 X1 10mm PHILLIPS SCREW
6	8	M5 X 12mm PPHMS	M6 X.8 12mm PHILLIPS SCREW
7	8	M5 WASHER	M5 FLAT WASHER
8	8	M5 HEX NUT	M5 HEX NUT

**PROCEDURE:**

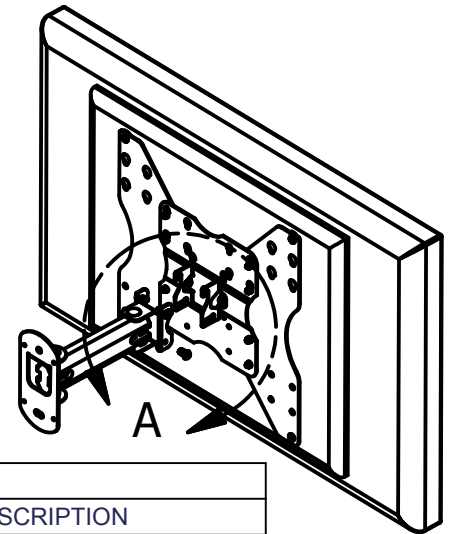
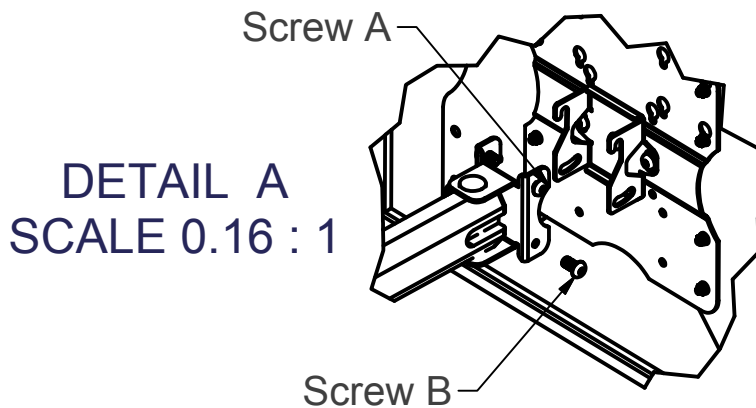
**STEP 2:**

Attach previously assembled parts to CV3700 (#3) using four PDIPPHMSM6X110 screws (#5) and four PDI1177 steel flat washers (#4).



**STEP 3:**

Attach PD181-707 to the wall using supplied fasteners and carefully following instructions provided with PD181-707. Carefully pick up the LCD TV assembly and engage the hooks on the support plate to the top screws on mounting bracket PD181-707. Once the final position is determined, secure screw A. Make sure the slot holes are inline with the holes for screw B. Adjust TV for appropriate Tilt, then tighten screw A and screw B as shown.



Parts List			
ITEM	QTY	PART NUMBER	DESCRIPTION
1	1	PD181-729	ADAPTER PLATE - 400mm X 400mm
2	1	PD181-707	WALL MOUNT FLAT PANEL TV
3	1	CV3700	NOT INCLUDED WITH MOUNT
4	4	PDI1177	STEEL FLAT WASHER
5	4	M6 X 10mm PPHMS	M6 X1 10mm PHILLIPS SCREW
6	8	M5 X 12mm PPHMS	M6 X.8 12mm PHILLIPS SCREW
7	8	M5 WASHER	M5 FLAT WASHER
8	8	M5 HEX NUT	M5 HEX NUT