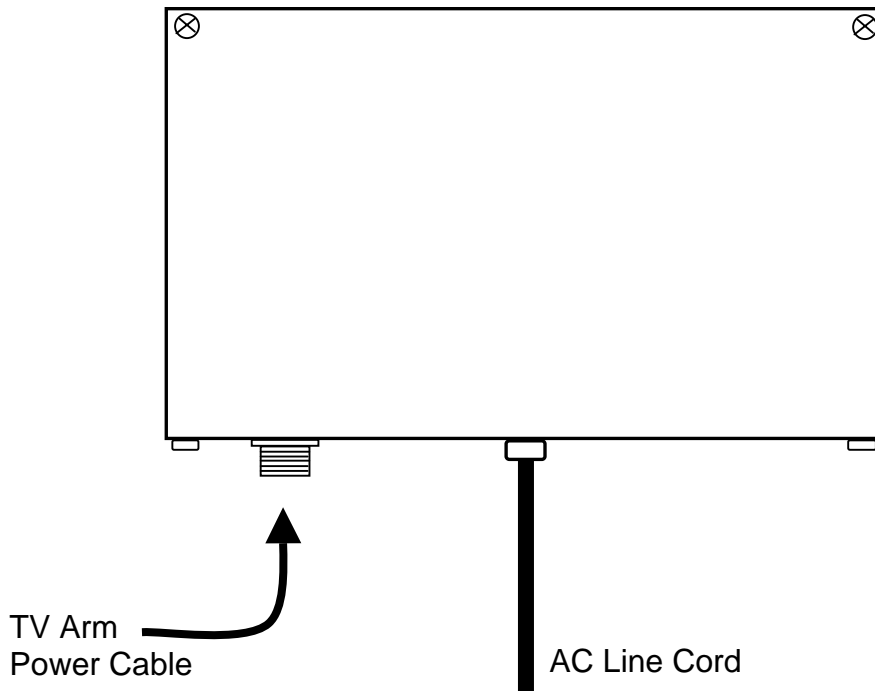


THIS INSTALLATION SHOULD BE MADE BY A QUALIFIED SERVICE PERSON AND SHOULD CONFORM TO ALL LOCAL CODES. READ AND FOLLOW THE SAFETY INSTRUCTIONS BEFORE ATTEMPTING THIS INSTALLATION.

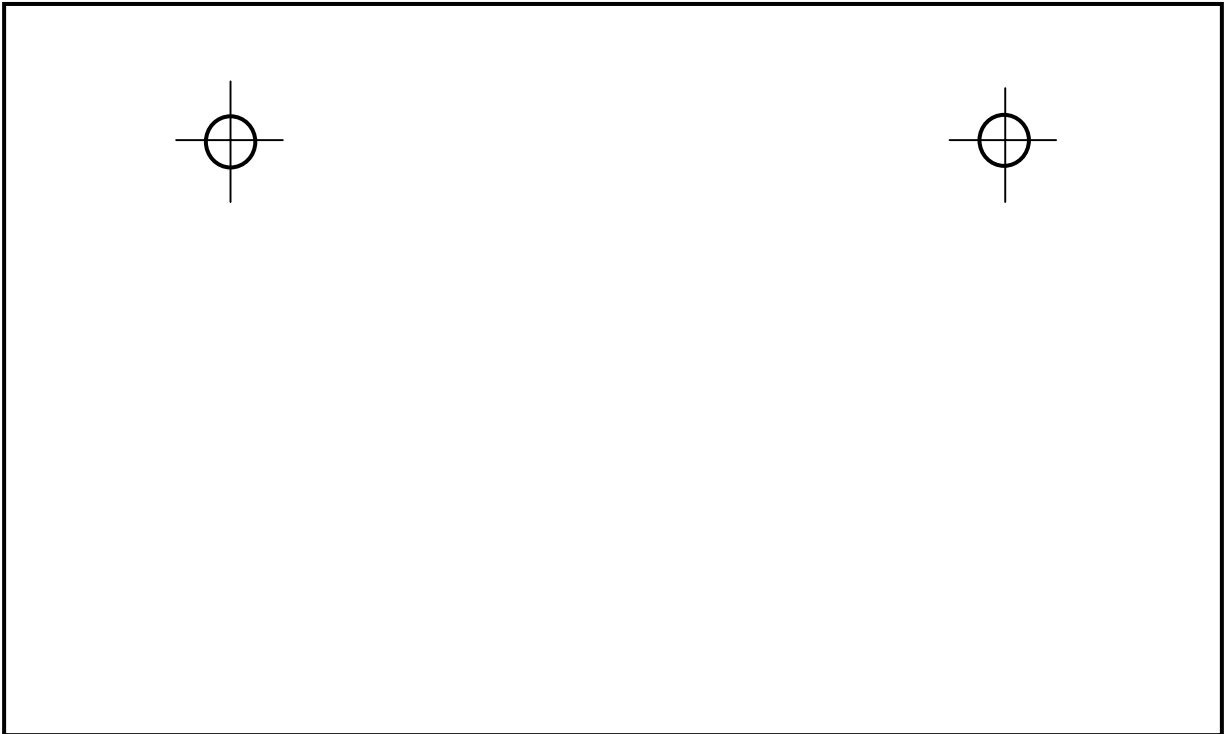
NOTE to CATV system installer: This reminder is provided to call the CATV system installer's attention to Article 820-40 of the NEC that provides guidelines for proper grounding and, in particular, specifies that the cable ground shall be connected to the grounding system of the building, as close to the point of cable entry as practical.

INSTALLATION

1. **LOCATION** – Locate a mounting position for the power supply within reach of the suspension arm power cable and an AC wall outlet. Please note that the supply mounts with the AC line cord pointed down.
2. **MOUNTING TEMPLATE** – Position the mounting template on the desired wall location. Mark the mounting hole locations.
3. **HARDWARE REQUIREMENTS** – Use the following hardware for mounting the PDI-750LCD. Hardware is NOT supplied with the wall bracket.
 DRY WALL – Use two ¼" – 20 toggle bolts (not supplied).
 MASONRY WALL – Use two ¼" – 20 cement anchors (not supplied).
 Install the proper wall anchor. Thread both bolts into the wall until approximately ½" of the bolt remains exposed.
4. **REMOVE COVER** – Remove two screws from the face of the supply at each corner. Save screws. Loosen two screws on the connector area. Lift and separate the cover from the back enclosure. NOTE: The guts of the actual power supply are wired to the cover.
5. **MOUNT ENCLOSURE** – Locate exposed bolt heads through the enclosure keyholes. Make certain the enclosure seats properly in each keyhole. It may be necessary to alternately remove the enclosure and tighten or loosen each bolt to bring the supply snug against the wall. Position enclosure onto bolts and tighten both mounting bolts.
6. **REINSTALL COVER** – Position the cover with attached power supply into the enclosure. Install two screws into the face of the supply at each of the top corners. Tighten the two screws on the connector area.
7. **CONNECTIONS** – Attach arm power cable to the power supply's Power Output port.
8. **POWER** – Plug AC line cord into 120 VAC outlet.



TOP



POWER SUPPLY MOUNTING TEMPLATE