

ASSEMBLY INSTRUCTIONS FOR KEYBOARD TRAY

STEP 1:

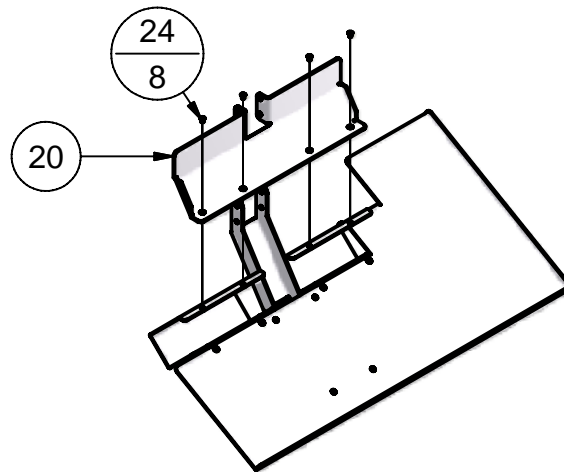
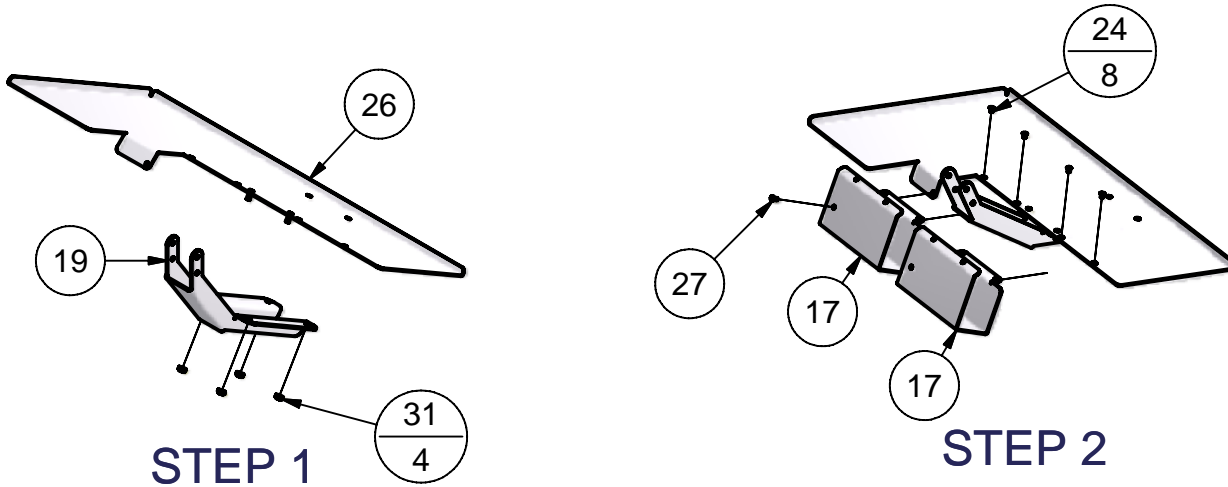
Attach item #26 to item #19 using four item #31 nuts.

STEP 2:

Attach two item #17 to item #26 with four item #24 screws and one item #27 screw.

Step 3:

Attach item #20 to the two item #17s with four item #24 screws.



STEP 3

Parts List			
ITEM	QTY	PART NUMBER	DESCRIPTION
17	2	PD133-037	SOCKET
19	1	PD181-601	KEYBOARD TRAY MOUNT
20	1	PD133-610	WIRE COVER
24	8	PDIPFHMS63225	6-32 X 1/4 PFHMS
26	1	PD181-018	KEYBOARD TRAY
27	1	PDIPPHMS63225	6-32 x 1/4 PPHMS
31	4	PDINILNS1032	10-32 NYLOC NUT